

Masport®

ROTARY MOWERS

SERIES 19

Part Number
565964

Model
Contractor AL 23

Engine
B&S Series 850

Month and Year of First Manufacture: Nov 2023
From Serial Number: 8861914

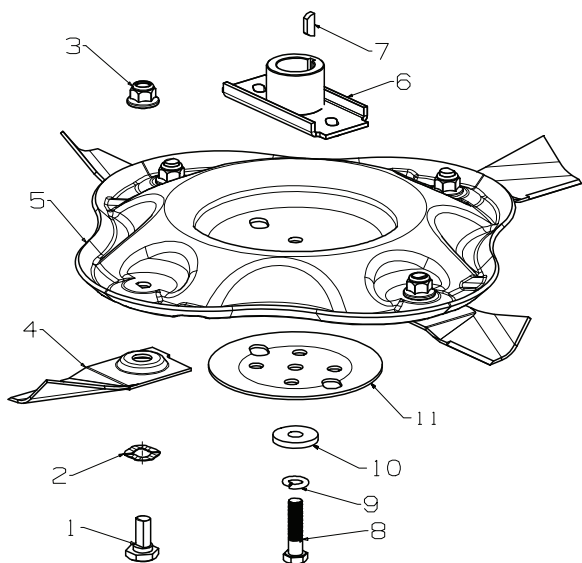


Issue A.1
Nov 2023 PB
ECN # 04414
IPL Ref # 765964

Spares Version



485mm Disc Blade Assembly- Wavy



Item	Part #	Description	Qty
1	581707	Bolt- Pivot M10 x 22	4
2	580693	Washer, Wavy 13.4 x 24.2	4
3	503672	Nut, M10 Hex Nyloc Flange	4
4	983310	Blade- Quick Cut, 485mm	4
5	783314	KIT-Disc Blade Wavy (Includes items: 8, 9, 10, 11)	1
6	031640	Driver Assy- Blade, 25mm	1
7	503363	Key, Woodruff, 5/8 x 3/16 x 1/4	1
8	503543	Bolt; Hex NF 3/8 x 1.5 NYG8	1
9	500204	Washer, Spring 3/8"	1
10	503855	Washer, Flat 9.75 x 30 x 4	1
11	567332	Plate- Stiffener, Disc Blade Assy	1

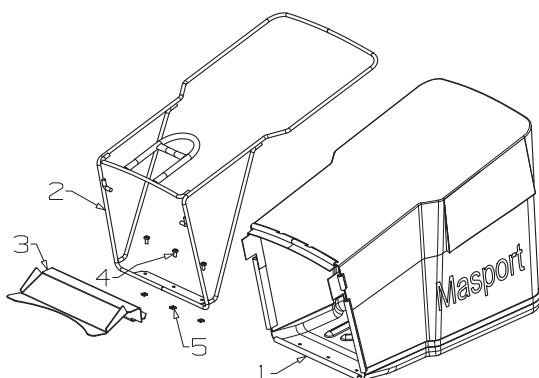
Blade & Bolt Sets

783692 Bolt Set, Includes Items: 4 x 1, 2, 3

783310 Blade-Quick Cut 485mm, Includes Items: 4 x 1, 2, 3, 4

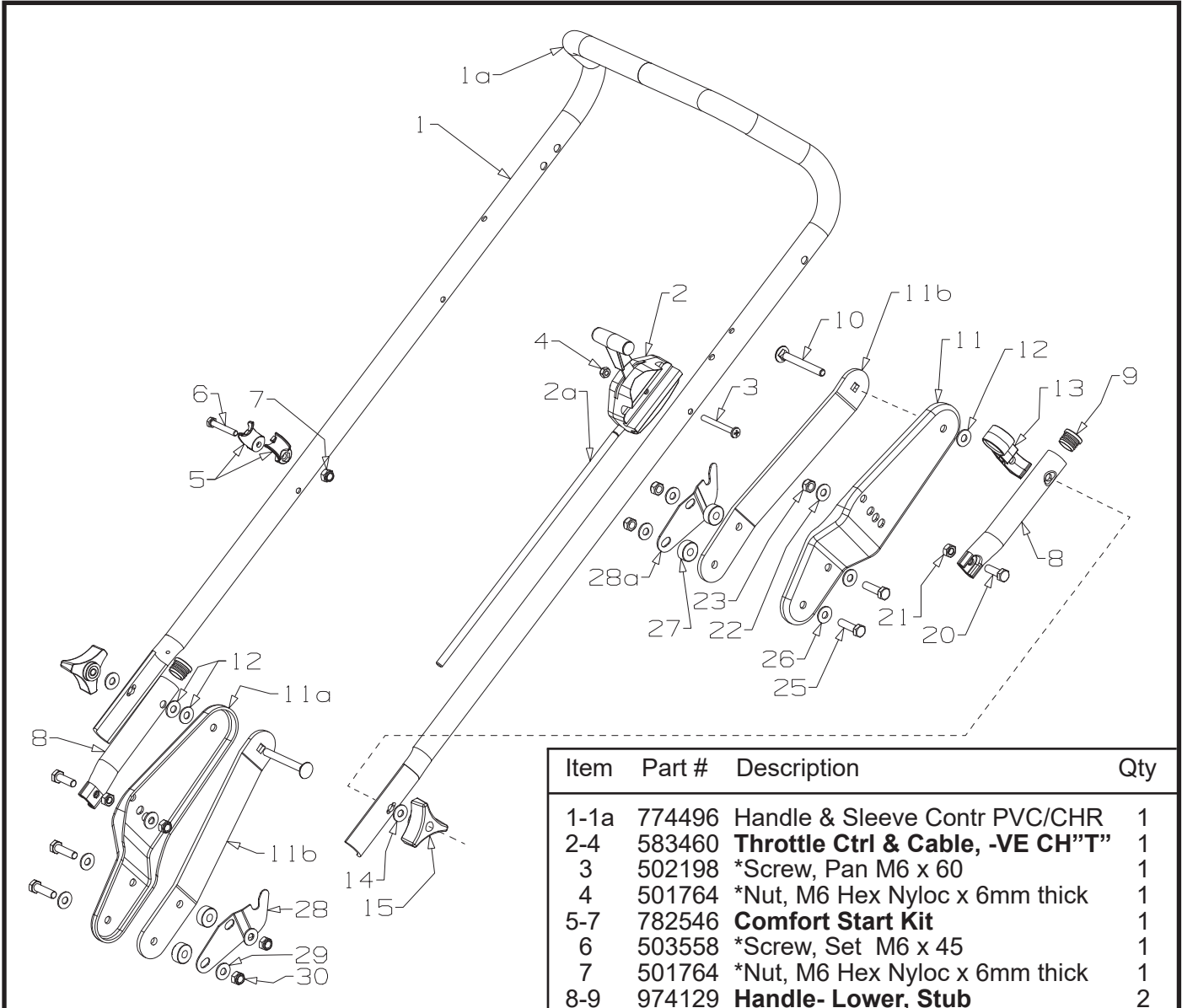
769449 Disc Assy-Wavy 485mm, Includes Items: 4 x 1, 2, 3, 4 & 5, 8, 9, 10, 11

Bag Catcher Assembly 19" Black



Item	Part #	Description	Qty
1	561254	Bag Assy-Catch Con Fab 19"R NZ	1
2	561286	Frame Assy-Catch Cont 19" BL NZ	1
3	561288	Lip- Catcher, 19" Cont Push Galv	1
4	503591	Screw, Pan M6 x 12 POZ	3
5	502098	Nut, M6 Sq Pressed	3

Replacement Bag Catcher Assembly
761254 Catcher Assy- Bag & Frame only



Not Illustrated

567545	Decal, HSG "NON RUST ALLOY"	1
574263	Decal, HSG S19/S21 Contr	1
579414	Decal, Noise MAS Sil 75db	1
580778	Stop- Rope	1
582062	Decal, Height Combo	1
583152	Owner Manual, Masport	1

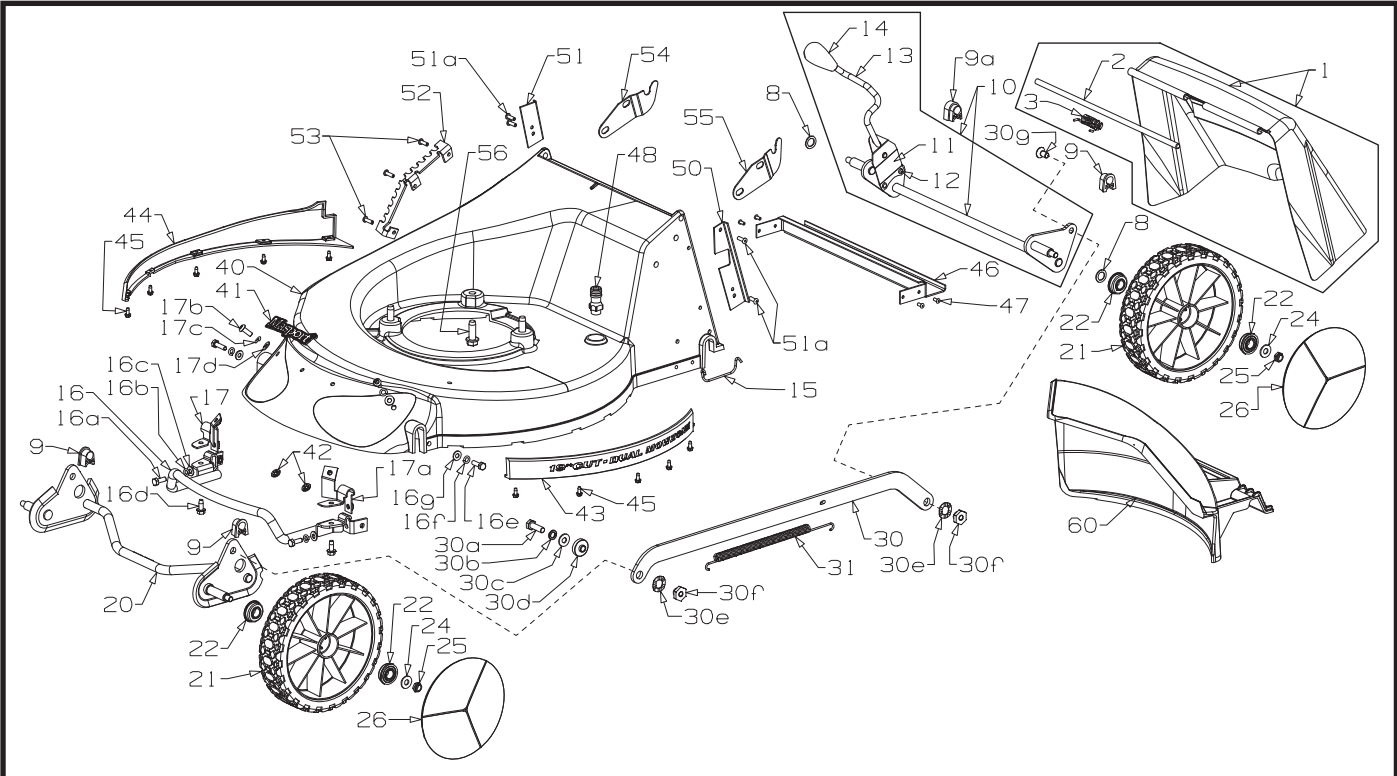
Item	Part #	Description	Qty
1-1a	774496	Handle & Sleeve Contr PVC/CHR	1
2-4	583460	Throttle Ctrl & Cable, -VE CH"T"	1
3	502198	*Screw, Pan M6 x 60	1
4	501764	*Nut, M6 Hex Nyloc x 6mm thick	1
5-7	782546	Comfort Start Kit	1
6	503558	*Screw, Set M6 x 45	1
7	501764	*Nut, M6 Hex Nyloc x 6mm thick	1
8-9	974129	Handle- Lower, Stub	2
9	572270	*Plug- 25mm Black Plastic	1
10	502281	Bolt, Carriage M8 x 70	2
11	964083	Bracket- Handle Adjust LH Blk	1
11a	964082	Bracket- Handle Adjust RH Blk	1
11b	574128	Brace- Handle Brkt Adj Contr	2
12	501606	Washer, Flat 8 x 19 x 1.6	3
13	572447	Retainer- Control Cable, Contr	1
14	501606	Washer, Flat 8 x 19 x 1.6	2
15	574230	Knob- Plastic, M8 Insert	2
20	501598	Screw, Set M8 x 25	2
21	501602	Nut, M8 Hex	2
22	501606	Washer, Flat 8 x 19 x 1.6	2
23	501793	Nut, M8 Hex Nyloc x 8mm thick	2
25	501716	Screw, Set M8 x 35 Hex	4
26	501606	Washer, Flat 8 x 19 x 1.6	4
27	574134	Spacer- Pulley, 8.5 x 19 x 4	4
28	564300	Bracket- Catcher Mount, RH	1
28a	564299	Bracket- Catcher Mount, LH	1
29	501606	Washer, Flat 8 x 19 x 1.6	4
30	501793	Nut, M8 Hex Nyloc x 8mm thick	4



565964 Ser 19
Contractor AL 23
Spares Version

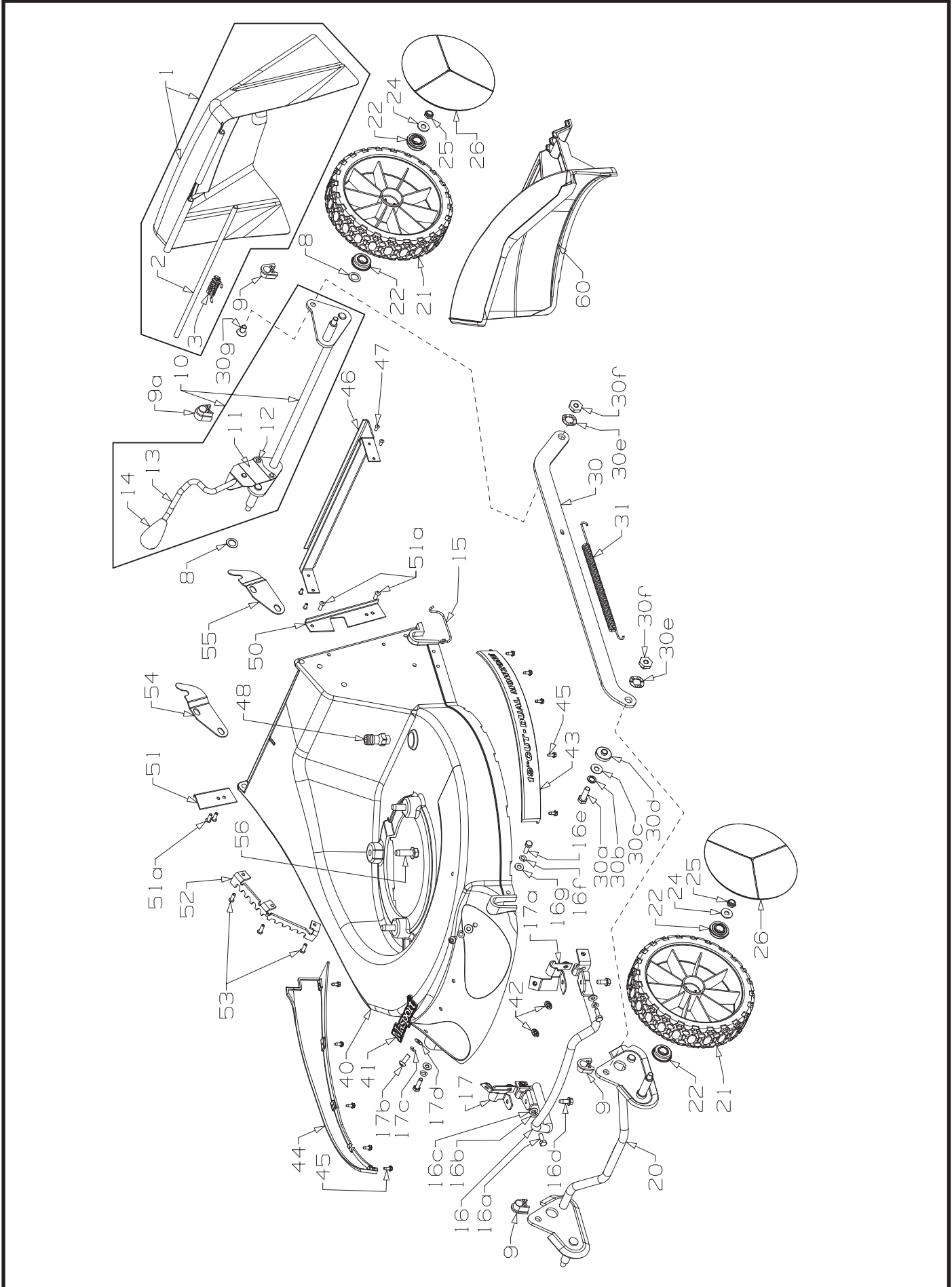
Masport®

Issue A.1
Nov 2023 PB
ECN # 04414
IPL Ref # 765964



Item	Part #	Description	Qty	Item	Part #	Description	Qty
1-3	764454	Flap- Assy Steel, Contractor Blk	1	25	503831	Nut, M8 Hex Nyloc x 8mm thick	4
2	583312	*Wire- Flap Pivot 325 x 8	1	26	579069	Hub Cap- 200mm MK6 Black	4
3	565095	*Spring- Flap 19"/21" ALI	1	30	561257	Rod- Connecting, 19" Contr	1
8	503301	Washer; Flat 1/2" x 3/4" x 18g	2	30a	501598	Screw, Set M8 x 25 Hex	1
9	580030	Bush- Pivot, Axle	3	30b	503747	Washer, SPG 8	1
9a	580668	Bush- Pivot, Axle Rear Deck	1	30c	501606	Washer, Flat 8 x 19 x 1.6	1
10-14	761259	Axle Assy- Rear, Push Contr	1	30d	583448	Spacer- Base, Eng GXV160	1
11	580649	*Spring- Leaf	1	30e	580693	Washer, Wavy 13.4 x 24.2 x .51	2
12	503373	*Rivet- F/Head 3/16 x 27/64"	3	30f	574208	Nut- Pivot, Con-Rod Contr	2
13	574525	*Rod- Height Selector, 19" Contr	1	30g	502333	Screw, CSK M8 x 15 Allen Head	1
14	581729	*Knob- Height Lever, Adjust MSV	1	31	573844	Spring- Counter Balance, Ser2	1
15	580225	Retainer- Axle, Rear ALI Deck	2	40-51a	761245	Hsg- ALI 19" CO WP M/BLK	1
16	961249	Guard- Bumper, Assy ALI Contr	1	41	567406	*Nameplate MASPORT	1
16a	501702	Screw, Set M6 x 16 Hex	2	42	503150	*Clip- Starlock, 5mm dia	2
16b	500201	Washer, SPG 6	2	43	579053	*Skirt- Side, LH	1
16c	501703	Washer, Flat 6 x 14 x 1.2	2	44	579052	*Skirt- Side, RH	1
16d	501599	Screw; S/T 1/4" x 5/8" Hex Whit	2	45	503834	*Screw, S/T M4 x 10 Washer Hex	10
16e	501600	Screw, Set M6 x 20 Hex	2	46	583512	*Brace- Rear, 19" EU & Local	1
16f	500201	Washer, SPG 6	2	47	503226	*Rivet- Pop 4.0 x 7.9 73AS5-5	4
16g	501703	Washer, Flat 6 x 14 x 1.2	2	48	503783	*Cyclowash- Fitting	1
17	561285	Brace- Axle Retainer Contr RH	1	50	573548	*Bracket- Rear Flap, LH Adj	1
17a	561284	Brace- Axle Retainer Contr LH	1	51	964368	*Bracket- Rear Flap, RH Adj	1
17b	502123	Screw, Set M6 x 16 Button Head	2	51a	503200	*Rivet- Pop 4.8 x 13 73AS6-8	4
17c	500201	Washer, SPG 6	2	52	564133	Quadrant- Height Selector, ZP	1
17d	501703	Washer, Flat 6 x 14 x 1.2	2	53	503200	Rivet- Pop 4.8 x 13 73AS6-8	3
20	561246	Axle Assy- Front, Contr 19"	1	54	564300	Bracket- Catcher Mount, RH	1
21-22	580791	Wheel Assy-200mm MK6 Black	4	55	564299	Bracket- Catcher Mount, LH	1
22	551212	*Bearing Wheel (Included)	2	56	580453	Screw; S/T 3/8" x 1-1/8" UNC	3
22	551212	Bearing- Wheel	8	60	783472	Insert- Mulching	1
24	501606	Washer, Flat 8 x 19 x 1.6	4				

When ordering spares: PLEASE QUOTE PART NUMBER & DESCRIPTION, NOT illustrated number. Item Qty = 1 per part unless stated differently.
BOLD TEXT = Assemblies. Descriptions starting with * = items included in the assemblies & may not be available as a spares item.
 Determine the left or right hand sides by standing in the operating position (standing at the handle).



When ordering spares: PLEASE QUOTE PART NUMBER & DESCRIPTION, NOT illustrated number. Item Qty = 1 per part unless stated differently.
BOLD TEXT = Assemblies. Descriptions starting with * = items included in the assemblies & may not be available as a spares item.
 Determine the left or right hand sides by standing in the operating position (standing at the handle).