

# Masport®

## ROTARY MOWERS

### SERIES 19

Part Number  
565888

Model  
PRO 850 21

Engine  
B&S W14 Ser 850

Month and Year of First Manufacture: Aug 2021  
From Serial Number: 8624113



Spares Version

Issue A.0  
Aug 2021 PB  
ECN # 04332  
IPL Ref # 765888

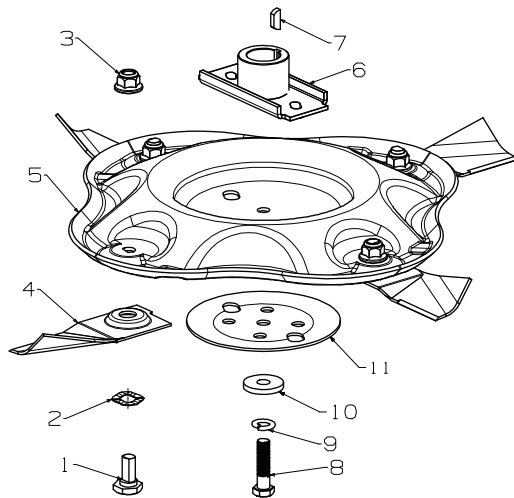


565888 Ser 19  
PRO 850 21  
Spares Version



Issue A.0  
Aug 2021 PB  
ECN # 04332  
IPL Ref # 765888

### 485mm Disc Blade Assembly (Wavy)

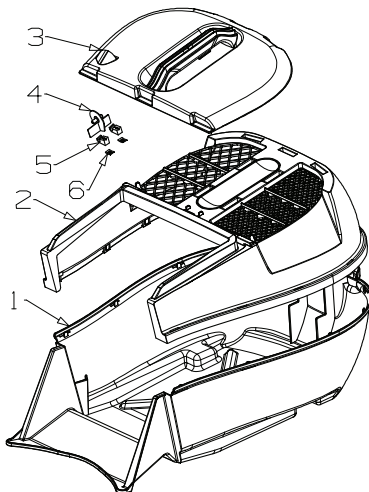


Item	Part No	Description	Qty
1	581707	Bolt- Pivot M10 x 22	4
2	580693	Washer, Wavy 13.4 x 24.2	4
3	503672	Nut, M10 Hex Nyloc Flange	4
4	983310	Blade- Quick Cut, 485mm	4
5	783314	KIT-Disc Blade Wavy (Includes items: 8, 9, 10, 11)	1
6	031640	Driver Assy- Blade, 25mm	1
7	503363	Key, Woodruff, 5/8 x 3/16 x 1/4	1
8	503543	Bolt; Hex NF 3/8 x 1.5 NYG8	1
9	500204	Washer; Spg 3/8	1
10	503855	Washer, Flat 9.75 x 30 x 4	1
11	567332	Plate- Stiffener, Disc Blade Assy	1

#### Blade & Bolt Sets

783692	Bolt Set (4) Includes Items: 1, 2, 3
783310	Blade-Quick Cut (4) 485mm Includes Items: 1, 2, 3, 4
769449	Disc Assy-Wavy (4 Blade) 485mm Includes Items: 1, 2, 3, 4, 5, 8, 9, 10, 11

### 19" Catcher Assy- Ind' Branded, Black



Item	Part No	Description	Qty
1	583350	Bottom- Catcher, 19" Branded Blk	1
2	579051	Top- Catcher, 19"	1
3	579085	Lid- Catcher, Ind 19"	1
4	582548	Indicator- Catcher	1
5	582550	Clamp- Indicator Retainer	2
6	503381	Clip- Starlock, 4 Dia	2
Not Illustrated			
	582568	Decal, Catcher FULL Indicator	1

#### Replacement Catcher Assembly Option

783404 Catcher Assy (Unbranded) 19" with "Grass Full Indicator" & Black Base

Not Illustrated

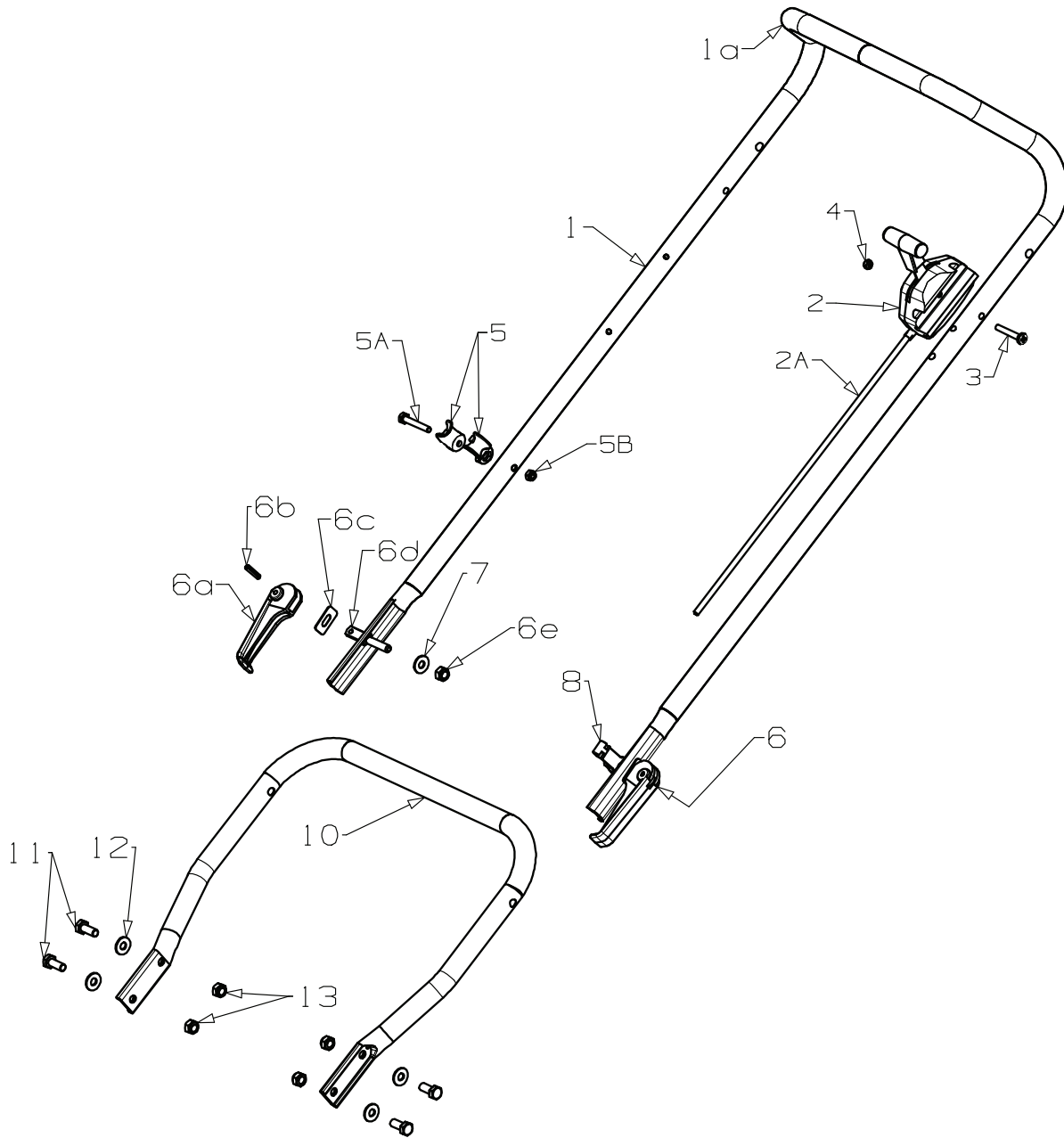
503054	Tie- Nylon Cable, Black	1	582049	Decal, Flap Caution	1
567545	Decal, HSG "NON RUST ALLOY"	1	582062	Decal, Height Combo	1
574074	Decal, HSG PROPOWER	1	583152	Owner Manual- Masport	1
579414	Decal, Noise Masp 75dba	1	583344	Catcher Instruction Sheet	1
580778	Stop- Rope	1			



565888 Ser 19  
PRO 850 21  
Spares Version

# Masport®

Issue A.0  
Aug 2021 PB  
ECN # 04332  
IPL Ref # 765888



Item	Part No	Description	Qty	Item	Part No	Description	Qty
1/1a	782335	Handle & Sleeve SFT/BLK	1	7	501606	Washer, Flat 8 x19 x 1.6	2
2/2a	583460	<b>Throttle Ctrl &amp; Cable, -VE CH" T"</b>	1	8	581527	Retainer-Control Cable, Handle	1
3	503508	*Screw, Pan M6 x 55	1	10	973125	Handle-Lower, "U" 19" Wide	1
4	501764	*Nut, M6 Hex Nyloc x 6mm thick	1	11	501598	Screw, Set M8 x 25 Hex	4
5	703856	<b>Comfort Start Kit</b>	1	12	501606	Washer, Flat 8 x 19 x 1.6	4
5a	503794	*Screw, Set M6 x 40	1	13	501793	Nut, M8 Hex Nyloc x 8mm thick	4
5b	501764	*Nut, M6 Hex Nyloc x 6mm thick	1				
6	779755	<b>Cam Lock Assembly (1 per)</b>	1				
6a	582419	*Lever- Handle Locking MSV	2				
6b	503369	*Pin, Tension 5.0 x 22	2				
6c	016777	*Washer, Slipper	2				
6d	583041	*Stud- Handle Lock, 61mm	1				
6e	501793	*Nut, M8 Hex Nyloc x 8mm thick	2				

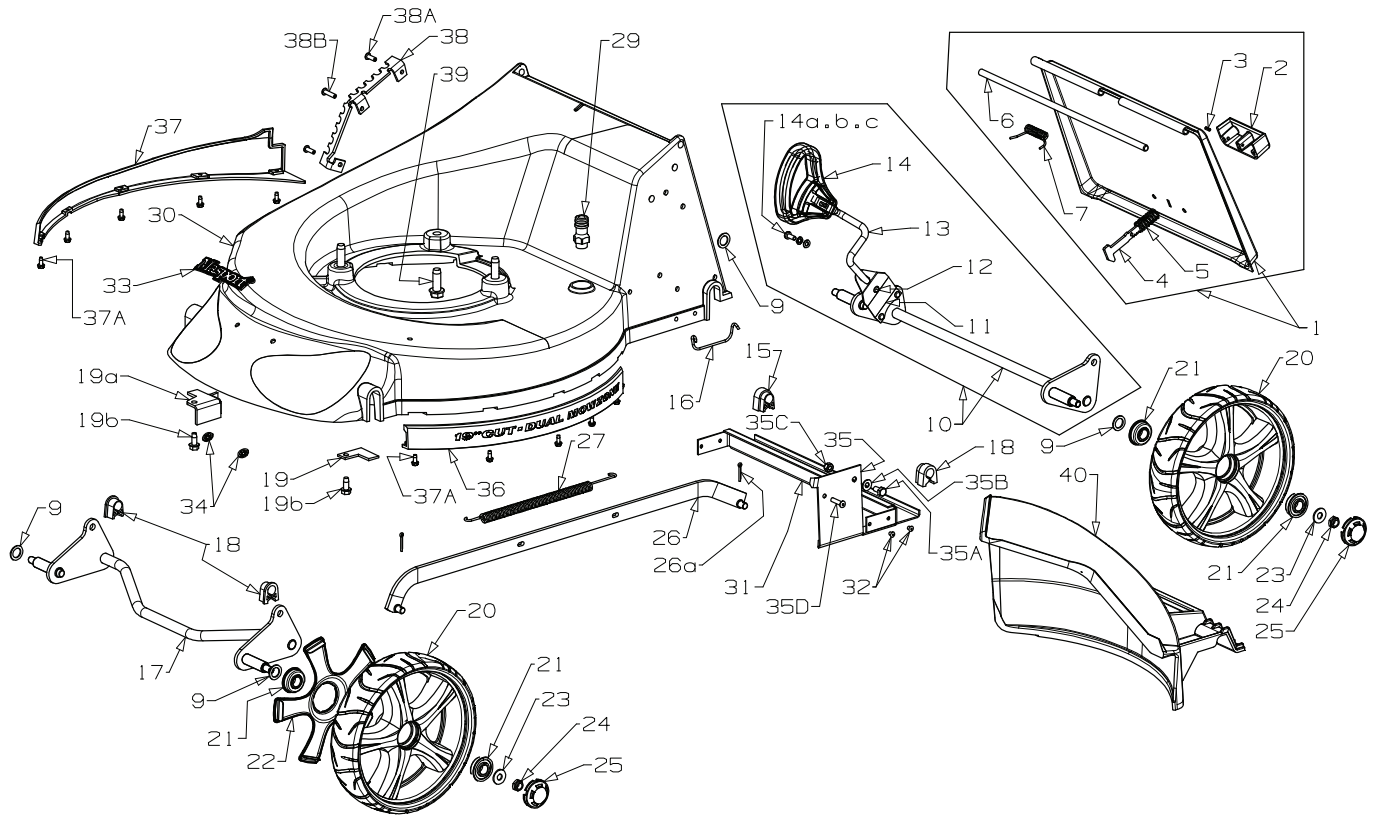
When ordering spares: PLEASE QUOTE PART NUMBER & DESCRIPTION, NOT illustrated number. Item Qty = 1 per part unless stated differently.  
**BOLD TEXT** = Assemblies. Descriptions starting with \* = items included in the assemblies & may not be available as a spares item.  
 Determine the left or right hand sides by standing in the operating position (standing at the handle).



565888 Ser 19  
PRO 850 21  
Spares Version

# Masport®

Issue A.0  
Aug 2021 PB  
ECN # 04332  
IPL Ref # 765888



Item	Part No	Description	Qty	Item	Part No	Description	Qty
1	973862	<b>Flap Assy- Steel, Latched Black</b>	1	25	583397	Hub Cap, Button Mag - Black	4
2	580602	*Handle - Flap	1	26	571032	Rod Assy-Connecting, 19"	1
3	502019	*Pin, Tension 3.0 x 8	1	26A	501056	Pin- Cotter, 2.3dia x 16	2
4	981650	*Latch- Flap, Barbed	1	27	581463	Spring-Counter Balance	1
5	581106	*Spring- Latch, Flap	1	29	503783	Cyclowash- Fitting	1
6	583312	*Wire-Flap Pivot 8mm x 325mm	1	30	767085	<b>Housing- ALI 19 CO M/Blk</b>	1
7	565095	*Spring-Flap, 19"/21"	1	31	583512	*Brace - Rear, 19"	1
9	503301	Washer, Flat 1/2 x 3/4 x 18g	4	32	503201	*Rivet-Pop, 4 dia x 7.9 73SS5-5	4
10	768801	<b>Axle Assy-Rear Complete, 19" V2</b>	1	33	567406	*Nameplate- MASPORT	1
11	580649	*Spring- Leaf	1	34	503150	*Clip-Starlock, 5 dia	2
12	503373	*Rivet- F/HD 3/16 x 27/64"	3	35	583360	*Plate- Antispill, MSV	1
13	568769	*Rod- Height Selector, 19" V2	1	35A	501959	*Screw, Set M6 x 12	1
14	568771	*Knob-Height, Lever Adj V2	1	35B	501703	*Washer, Flat 6 x 14 x 1.2	1
14a	501059	*Screw, Pan M5 x 12 POZ	1	35C	501764	*Nut, M6 Hex Nyloc x 6mm thick	1
14b	501765	*Washer, SPG 5	1	35D	503660	*Rivet- Pop 4.8 x 9.0 73AS6-6	1
14c	501330	*Washer, Flat 5 x 10 x 1.0	1	36	579053	Skirt- Side, LH	1
15	580668	Bush-Pivot, Rear Stl Deck	1	37	579052	Skirt- Side, RH	1
16	580225	Retainer-Axle, Rear, Ali Deck	2	37A	503834	Screw, S/Tapping M4 x 10	10
17	983305	Axle-Front, 200mm	1	38	564133	Quadrant-Height Selector, 19"	1
18	580030	Bush-Pivot, Front Axle	3	38A	503200	Rivet-Pop 4.8 dia x 13.0	2
19	583315	Plate-Retainer, Axle Front	1	38B	503200	Rivet-Pop 4.8 dia x 13.0	1
19A	564020	Plate-Retainer, Axle RH	1	39	580453	Screw, S/T 3/ 8" x 1-1/8"	3
19B	501599	Screw, S/Tapping 1/4" x 5/8"	2	40	783472	<b>Insert- Mulching, 19" (Packed)</b>	1
20	573703	Wheel Assy- 200mm Mag Black (Includes 2 x 551212 per wheel)	4	40	583326	*Insert- Mulching, 19"	1
21	551212	Bearing- Wheel, Ball	8				
22	583398	Cover- Inner Wheel, Black	2				
23	501606	Washer, Flat 8 x 19 x 1.6	4				
24	503831	Nut- M8 Hex Nyloc x 8mm thick	4				

When ordering spares: PLEASE QUOTE PART NUMBER & DESCRIPTION, NOT illustrated number. Item Qty = 1 per part unless stated differently.  
**BOLD TEXT** = Assemblies. Descriptions starting with \* = items included in the assemblies & may not be available as a spares item.  
 Determine the left or right hand sides by standing in the operating position (standing at the handle).