

Masport®

DOMESTIC ROTARY MOWERS

SERIES 19

<u>Part Number</u>	<u>Model</u>	<u>Engine</u>
564714	700AL 2'n1 16	B&S Series 850

Note, Serial #s 7940308 ~ 8115618 This mower was know as a 700AL 2'n1

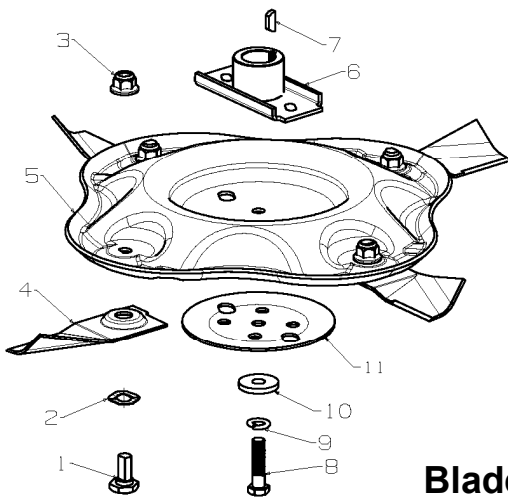
<u>Part Number</u>	<u>Model</u>	<u>Engine</u>
564714	750AL 2'n1 16	B&S Series 850

Serial #, Month and Year of Manufacture: 7940308 August 2016
Starting Serial Number as a 750AL : 8129236 (March 2017)





485mm Disc Blade– Wavy, Assembly

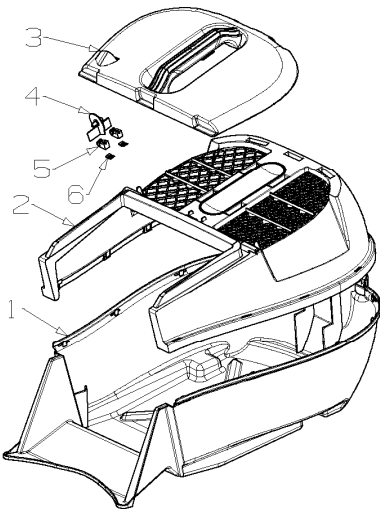


Item	Part No	Description	Qty
1	581707	Bolt– Pivot M10 x 22	4
2	580693	Washer, Wavy 13.4 x 24.2	4
3	503672	Nut, M10 Hex Nyloc Flange	4
4	983310	Blade– Quick Cut, 485mm	4
5	783314	KIT-Disc Blade Wavy (Includes items: 8, 9, 10, 11)	1
6	031640	Driver Assy– Blade, 25mm	1
7	503363	Key, Woodruff, 5/8 x 3/16 x 1/4	1
8	503543	Bolt; Hex NF 3/8 x 1.5 NYG8	1
9	500204	Washer, Spring 3/8"	1
10	503855	Washer, Flat 9.75 x 30 x 4	1
11	567332	Plate– Stiffener, Disc Blade Assy	1

Blade & Bolt Sets

- 783692 Bolt Set (4)** Includes Items: **1, 2, 3**
- 783310 Blade-Quick Cut (4per) 485mm** Includes Items: **1, 2, 3, 4**
- 769449 Disc Assy- Wavy (4 Blade) 485mm**
Includes Items: **1, 2, 3, 4, 5, 8, 9, 10, 11**

Catcher Assembly 19"



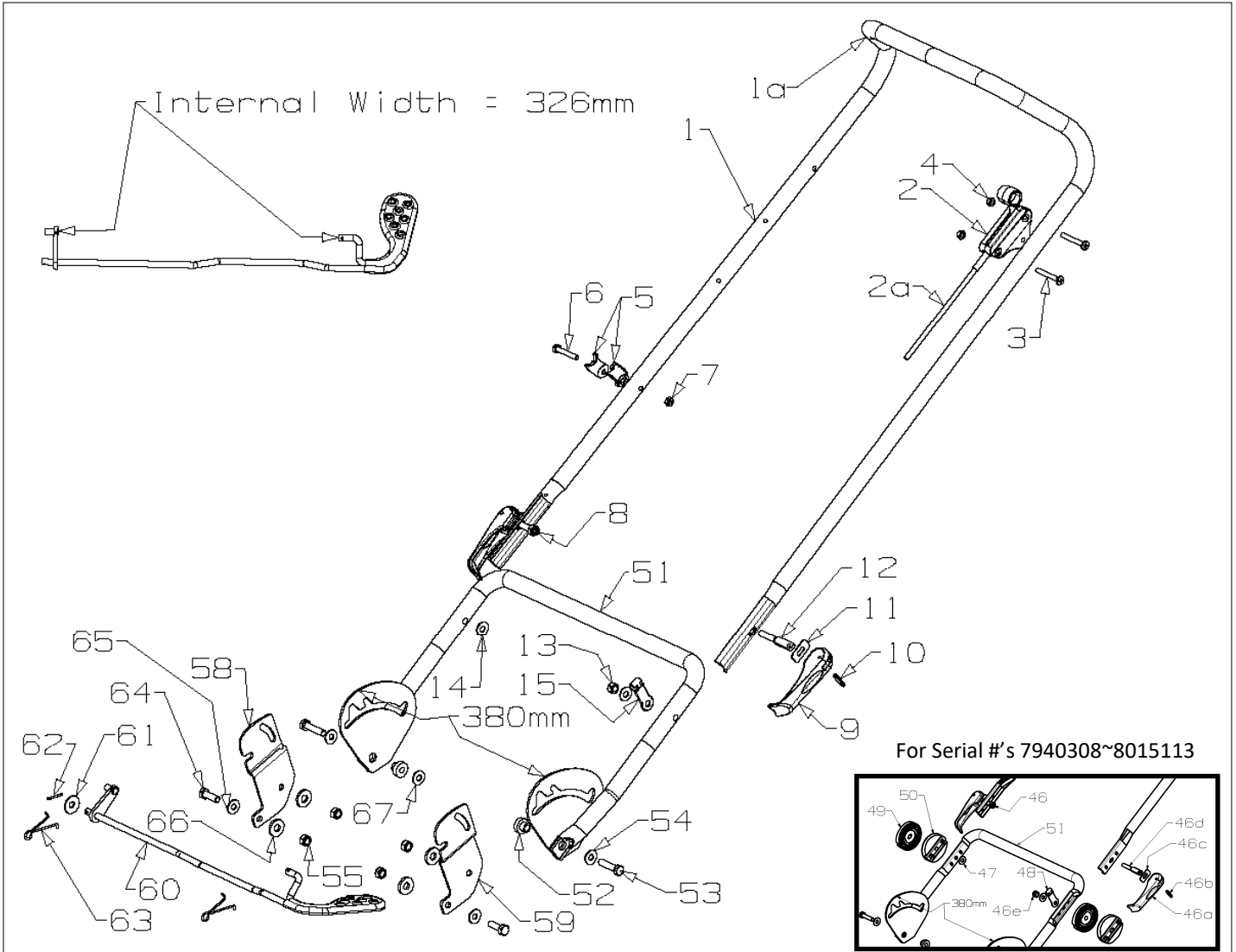
Item	Part No	Description	Qty
1	567010	Catcher– Bottom, 19" Brand Grey	1
2	579051	Catcher– Top, 19" Black	1
3	579085	Catcher– Lid, 19" Ind MSV Black	1
4	582548	Indicator- Catcher	1
5	582550	Clamp- Indicator Retainer	2
6	503381	Clip– Starlock, 4dia	2
Not Illustrated			
	582568	Decal, Catcher Indicator	1

Replacement Catcher Assembly

783404 Catcher Assy (Unbranded) 19" with "Grass Full Indicator" & Black Base

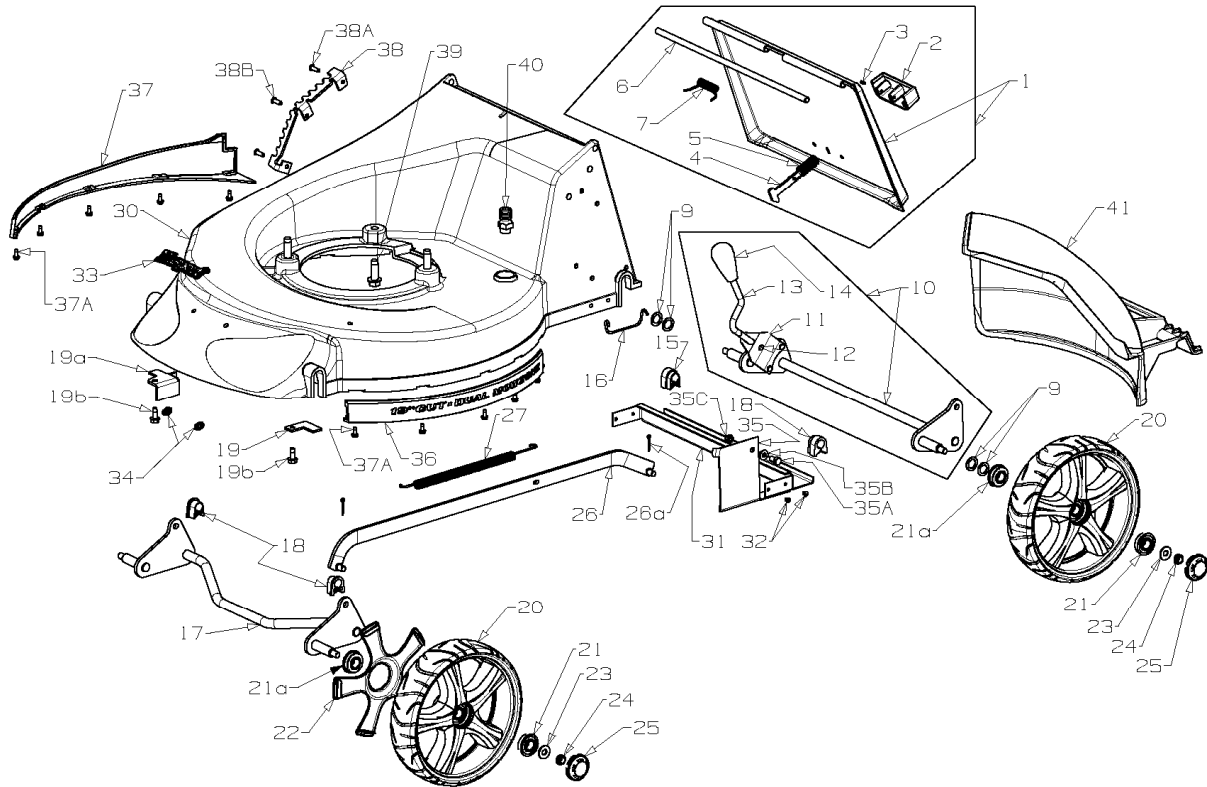
Not Illustrated

503054	Tie– Nylon Cable, Black	1	582062	Decal, Height Combo	1
564248	Hook– Lift, Catcher Handle	1	582070	Decal, Serial Number	1
564644	Decal, HSG S19 750	1	582241	Decal, Flap Caution 5T	1
567545	Decal, HSG "NON RUST ALLOY"	1	583152	Owner Manual, Masport	1
579414	Decal, Noise MAS Sil 75db	1	583344	Instruction, Catcher	1
580778	Stop– Rope	1			



Item	Part No	Description	Qty	Item	Part No	Description	Qty	
	1/1a	767510	Handle & Sleeve PVC/CHR	1	58	567368	Plate-Mount, Handle RH	1
	2/2a	779321	Throttle Ctrl & Cable, +VE	1	59	567369	Plate-Mount, Handle LH	1
	3	503700	*Screw, Pan M-5 x 35	2	60	967383	Rod Assy Adj-Lower Lift 18" ALI	1
	4	503511	*Nut, M-5 Nyloc Hex	2	61	502149	Washer- Dished	1
	5	703856	Comfort Start Kit	1	62	501056	Pin, Cotter 2.3dia x 16	1
	6	503794	*Set Screw - M 6 x 40	1	63	567381	Spring- Ergo Lift	2
	7	501764	*Nut, M6 Hex Nyloc x 6mm thick	1	64	501598	Screw, Set M8 x 25	2
	8	77975	Cam Lock Assembly (1 per)	2	65	501606	Washer, Flat 8 x 19 x 1.6	2
	9	582419	*Lever- Handle, Locking MSV	1	66	503872	Washer, Flat 8 x 20 x 3.0	4
	10	503369	*Pin, Tension 5.0 x 22	1	For Serial #'s 7940308 ~ 8015113			
	11	016777	*Washer, Slipper	1	1/1a	773805	Handle & Sleeve ADJPVCCHR	1
	12	583041	*Stud- Handle Lock 61mm	1	46	769674	Cam Lock Assembly (1 per)	2
	13	501793	*Nut, M8 Hex Nyloc x 8mm thick	2	46d	569674	*Stud- Handle Lock, 72mm	1
	14	501606	Washer, Flat 8x19x1.6	1	49	569673	Disc- Locking, Outer	2
	15	581527	Retainer-Control Cable, Handle	1	50	569770	Disc- Locking, Inner	2
	51	967366	Handle Assy-Lower, "U" - Black	1	51	967501	Handle Assy- Lower, Lift Adj	1
	52	567382	Spacer- Handle, Lower Lift	2				
	53	501843	Screw, Set M8 x 40	2				
	54	501606	Washer, Flat 8 x 19 x 1.6	2				
	55	501793	Nut, M8 Hex Nyloc x 8mm thick	4				

When ordering spares: PLEASE QUOTE PART NUMBER & Description, NOT illustrated number. Item Qty = 1 per part unless stated differently. **BOLD TEXT** = Assemblies. Text starting with * = items included in the assemblies & may not be available as a spares item. Determine the left hand or right hand sides by standing in the operating position (standing at the handle).



Item	Part No	Description	Qty	Item	Part No	Description	Qty
	1	973862 Flap Assy- Steel	1	23	501606	Washer, Flat 8 x 19 x 1.6	4
	2	580602 *Handle - Flap	1	24	503831	Nut- Nyloc, M8	4
	3	502019 *Pin, Tension 3.0 x 8	1	25	579204	Hub Cap, Button Mag Silver	4
	4	981650 *Latch- Flap, Barbed	1	26	571032	Rod Assy-Connecting, 19"	1
	5	581106 *Spring- Latch, Flap	1	26A	501056	Pin- Cotter, 2.3dia x 16	2
	6	583312 *Wire-Flap Pivot 8mm x 325mm	1	27	581463	Spring-Counter Balance	1
	7	565095 *Spring-Flap, 19"/21" AL S/FL	1	30	779461	Housing- ALI 19" CO TTNM	1
	9	503301 Washer; Flat 1/2x3/4x18g (If Req'd)	4	31	583512	*Brace - Rear, 19"	1
	10	783302 Axle Assy- Rear Complete, 19"	1	32	503226	*Rivet-Pop, 4 dia x 7.9 73AS5-5	4
	11	580649 *Spring- Leaf	1	33	567406	*Nameplate- MASPORT	1
	12	503373 *Rivet- F/HD 3/16 x 27/64"	3	34	503150	*Clip-Starlock, 5 dia	2
	13	983329 *Rod- Height Selector, 19"	1	35	583360	*Plate- Antispill, MSV	1
	14	581729 *Knob-Height, Lever Adj MSV	1	35A	501959	*Screw, Set M6 x 12	1
	15	580668 Bush-Pivot, Rear Stl Deck	1	35B	501703	*Washer, Flat 6 x 14 x 1.2	1
	16	580225 Retainer-Axle, Rear, Ali Deck	2	35C	501764	*Nut, M6 Hex Nyloc	1
	17	983305 Axle-Front, 200mm	1	36	579053	Skirt- Side, LH	1
	18	580030 Bush-Pivot, Front Axle	3	37	579052	Skirt- Side, RH	1
	19	583315 Plate-Retainer, Axle Front	1	37A	503834	Screw, S/T M4 x 10	10
	19A	564020 Plate-Retainer, Axle RH Contr	1	38	564133	Quadrant-Height Selector, 19"	1
	19B	501599 Screw, S/T 1/4" x 5/8"	2	38A	503200	Rivet-Pop 4.8 dia x 13.0 73AS6-8	2
	20	573706 Wheel Assy-200mm Mag Silver (Includes 2 x 551212 per wheel)	4	38B	503200	Rivet-Pop 4.8 dia x 13.0 73AS6-8	1
	21	551212 Bearing- Wheel, Ball	4	39	580453	Screw, S/T 3/ 8" x 1 1/8"	3
	21a	551212 Bearing- Wheel, Ball	4	40	503783	Cyclowash- Fitting	1
	22	579205 Cover- Inner Wheel, Silver	2	41	783472	Insert- Mulching, 19"	1

When ordering spares: PLEASE QUOTE PART NUMBER & Description, NOT illustrated number. Item Qty = 1 per part unless stated differently. **BOLD TEXT** = Assemblies. Text starting with * = items included in the assemblies & may not be available as a spares item. Determine the left hand or right hand sides by standing in the operating position (standing at the handle).