

Masport®

DOMESTIC ROTARY MOWERS

SILVER SERIES

<u>Part Number</u>	<u>Model</u>	<u>Engine</u>
578919	S19 MSV 3n'1	B&S XVS Series 725

Month and Year of First Manufacture - July 2013
Starting Serial Number - 7723299



Issue B.1
ECN 02673
Mar 2014 PB
REF # 778919S

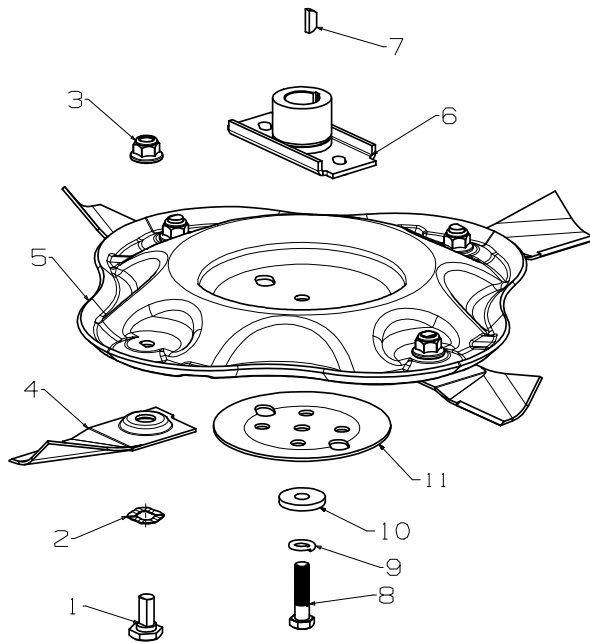


S19 MSV 3n'1
Powered by: B&S XVS Series 725

Masport

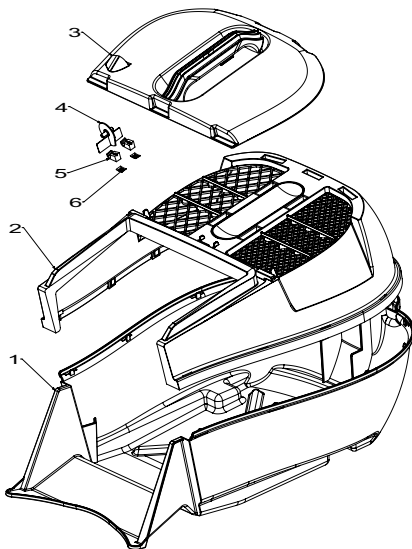
Issue B.1
Mar 2014 PB
REF # 778919S

485mm Disc Blade Assembly



Item	Part No	Description	Qty
1	581707	Bolt-Pivot M10x22	4
2	580693	Washer, Wavy 13.4 x 24.2	4
3	503672	Nut, Flange Nyloc M10	4
4	983310	Blade, Quick Cut - 485mm	4
5	583314	Disc Blade Contoured	1
6	031640	Driver Assy-Blade - 25mm Shaft	1
7	503363	Key, Woodruff - 5/8" x 3/16" x 1/4"	1
8	503543	Screw, Set NF 3/8" x 1.5 NYG8	1
9	500204	Washer, Spring 3/8"	1
10	503855	Washer, Flat 9.75 x 30 x 4.0	1
11	567332	Plate- Stiffener, Disc Blade Assy	1
	783692	Bolt Set (4) Includes Items: 1, 2, 3	
	783310	Blade-Quick Cut 485mm (4) Includes Items: 1, 2, 3, 4	
	769449	Disc Assy 485mm (4 Blade) Includes Items: 1, 2, 3, 4, 5	

767327 Catcher Assembly (Branded) Indicator



Item	Part No	Description	Qty
1	567010	Bottom- Catcher, 19" Grey	1
2	579051	Top- Catcher, 19"	1
3	579085	Lid- Catcher, Ind 19"	1
4	582548	Indicator- Catcher	1
5	582550	Clamp- Indicator Retainer	2
6	503381	Clip- Starlock, 4 Dia	2

NOT ILLUSTRATED

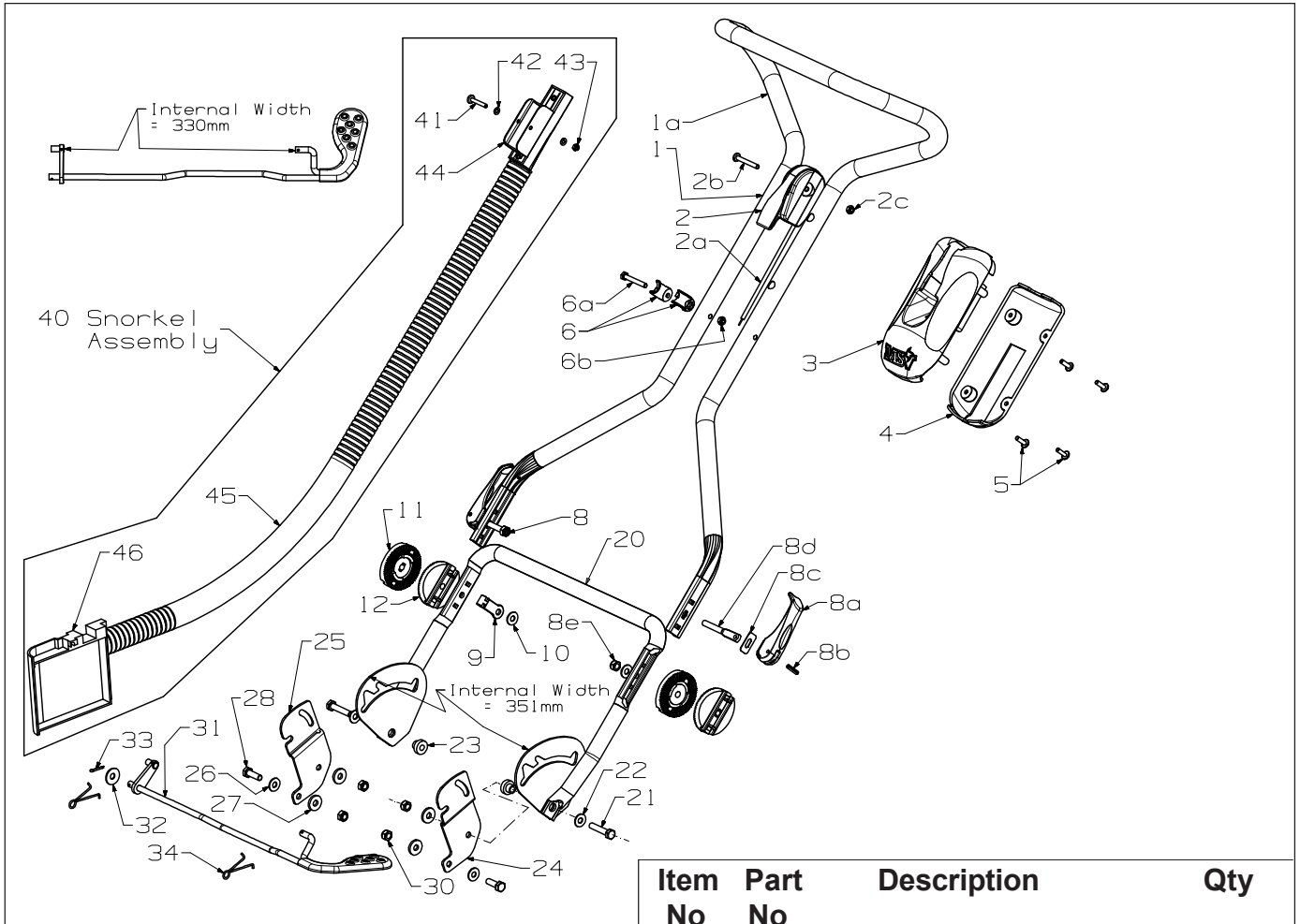
583152	Owners Manual	1	503054	Tie- Nylon, Cable	2
582507	Decal, Flap-Smart/Chute 5 T	1	582568	Decal, Catcher Indicator	1
581208	Decal, Height Gen/Combo	1	579414	Decal, Noise 75dB	1
580778	Stop- Rope	1			
579148	Decal, Hsg S19 MSV	1			
583344	Instructions, Catcher Assy	1			



S19 MSV 3n'1
Powered by: B&S XVS Series 725

Masport

Issue B.1
Mar 2014 PB
REF # 778919S



Item No	Part No	Description	Qty
21	501843	Screw, Set M8 x 40 Hex	2
22	501606	Washer, Flt 8x19x1.6	2
23	567382	Spacer- Handle, Lower Lift	2
24	567369	Plate- Mount, Handle LH	1
25	567368	Plate- Mount, Handle RH	1
26	501606	Washer, Flt 8x19x1.6	2
27	503872	Washer, Flt 8x20x3.0	4
28	501598	Screw, Set M8 x 25 Hex	2
30	501793	Nut, M8 Hex Nyloc 8 Thck	4
31	967383	Rod Assy Adj- Lower Lift	1
32	502149	Washer- Dished	1
33	501056	Pin, Cotter 2.3dia x 16	1
34	567381	Spring- Ergo Lift	2
40	783615	Snorkel Kit- Upturned Handle	1
41	503117	*Screw, Pan M5 x 32	1
42	501330	*Washer, Flat 5x10x1.0	2
43	503511	*Nut, M5 Hex Nylock	1
44	582386	*Intake- Air, B&S	1
45	583604	*Tube- Snorkel, Air Intake B&S	1
46	582389	*Cover- Air Cleaner B&S	1
1/1a	782417	Handle-Upper, MSV,ADJ Black	1
2/2a	583458	Control-Throttle, H'sing Wescon	1
2b	503604	*Screw, Pan M6 x 45	1
2c	501764	*Nut, Nyloc M6	1
3	583351	Mount-Throttle, Top Black	1
4	583357	Cover- Throttle, Bottom Snk	1
5	503650	Screw;S/Tapping#12x11/16"	4
6	782546	Comfort Start Kit	1
6a	503558	*Screw, Set M6 x 45	1
6b	501764	*Nut, Nyloc M6	1
8	769674	Stud- Handle Lock, 72mm	2
8a	582419	*Lever- Handle, Locking	1
8b	016777	*Washer, Slipper	1
8c	503369	*Pin, Tension 5.0x25	1
8d	569674	*Stud- Handle Lock, 72mm	1
8e	501793	*Nut, M8 Hex Nyloc 8 Thck	1
9	581527	Retainer-Control Cable, Handle	1
10	501606	Washer, Flt 8x19x1.6	2
11	569673	Disc- Locking Outer Thick	2
12	569770	Disc- Locking Inner Thick	2
20	967501	Handle Assy- Lower, LFAJ18"ST	1

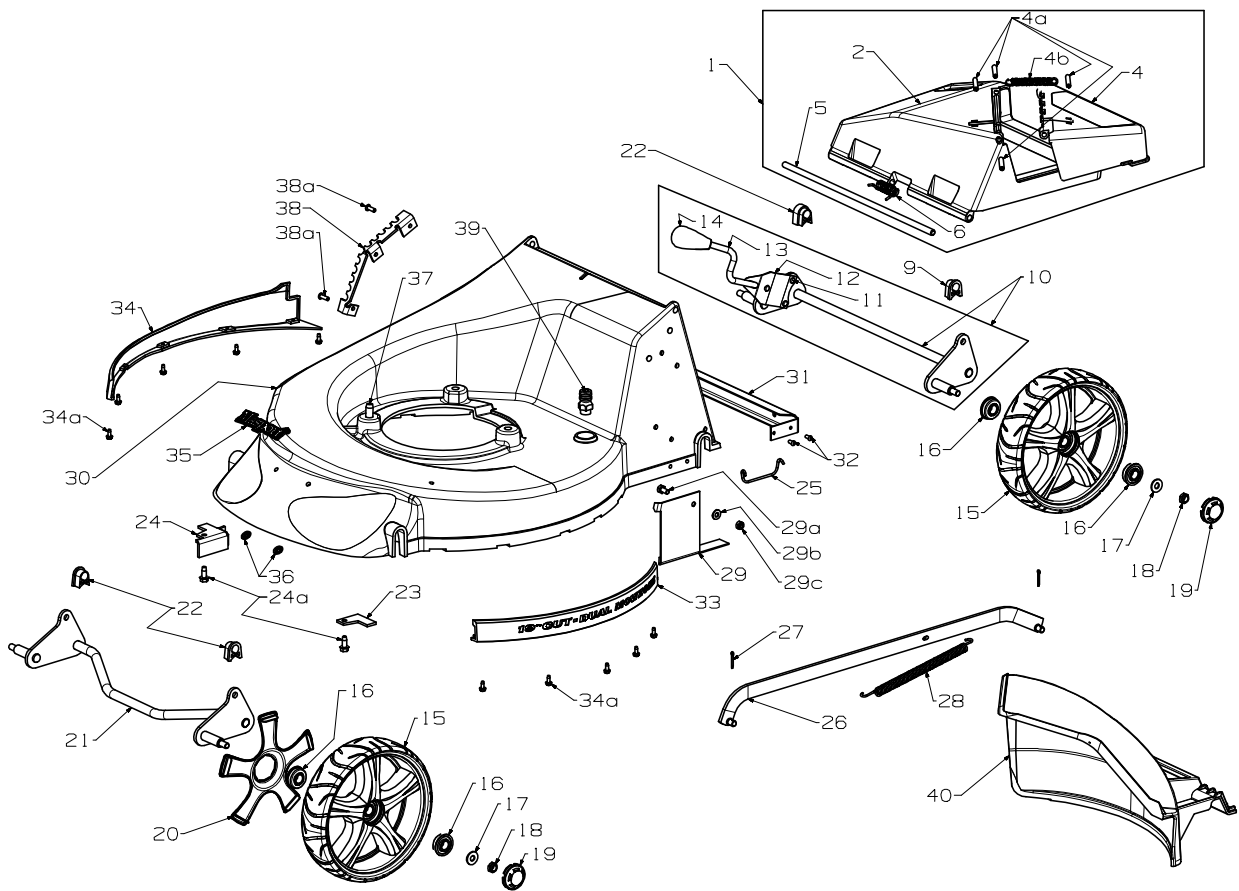
When ordering PLEASE QUOTE PART NUMBER & Description, NOT Illustration No.
Determine right or left hand side from standing in operating position (standing at handle)
Bold Text = Assemblies, Bulleted Text * = Items included in the Assemblies



S19 MSV 3n*1
Powered by: B&S XVS Series 725

Masport

Issue B.1
Mar 2014 PB
REF # 778919S



Item No	Part No	Description	Qty	Item No	Part No	Description	Qty
1	767647	Flap-Assembly, Mower 19"/21"	1	24	564020	Plate-Retainer, Axle RH	1
2	782414	*Flap- Mower, Smart Chute	1	24a	501599	Screw, S/Tapping 1/4" x 5/8"	2
4	571095	*Flap- Door, Side Red	1	25	580225	Retainer-Axle, Rear, Ali Deck	2
4a	581676	*Pin- Tension 6.0 x 35	4	26	571032	Rod Assy-Connecting, 19"	1
4b	581648	*Spring- Flap, Side Discharge	1	27	501056	Pin, Cotter 2.3Dx16	2
5	583312	*Wire-Flap Pivot 8x325	1	28	581463	Spring-Counter Balance	1
6	583343	*Spring- Flap 19"/21" ALI	1	29	583360	Plate-Antispill, MSV	1
9	580668	Bush-Pivot, Rear Axle, Steel deck	1	29a	501959	Screw, Set M6 x 12 Hex	1
10	783302	Axle Assy-Rear, 19"	1	29b	501703	Washer, Fit M6 x 14 x 1.2	1
11	503373	*Rivet- F/HD 3/16x27/64"	3	29c	501764	Nut, M6 Hex Nyloc	1
12	580649	*Spring- Leaf	1	30	779461	Housing- ALI 19"	TTNM 1
13	983329	*Rod- Height Selector	1	31	983304	*Brace-Rear, 19"	1
14	581729	*Knob- Height, Lever Adjust MSV	1	32	503226	*Rivet-Pop, 4 Dia x 7.9	4
15	579203	Wheel Assy-200mm BB Mag Svr (Included 2 x 551212 per assy)	4	33	579053	Skirt- Side, LH	1
16	551212	Bearing- Wheel, Ball Type	8	34	579052	Skirt- Side, RH	1
17	501606	Washer, Flat 8 x 19 x 1.6	4	34a	503834	Screw, S/Tapping M4 x 10	10
18	503831	Nut, M8 Hex Nyloc 6 Thck	4	35	567406	NamePlate "MASPORT"	1
19	579204	Hub Cap, Button Mag Svr	4	36	503150	Clip- Starlock, 5mm dia	2
20	579205	Cover- Inner, Wheel Svr	2	37	580453	Screw, S/T 3/8" x 1-1/8" UNC	3
21	983305	Axle Assy- Front, 200mm	1	38	564133	Quadrant-Height, STL 19" Push ZP	1
22	580030	Bush-Pivot, Front Axle	3	39	503200	Rivet- POP, 4.8 x 13	2
23	983315	Plate-Retainer, Axle 19"	1	39	503783	Cyclowash-Fitting	1
				40	783472	Insert- Mulching 19"	1

When ordering PLEASE QUOTE PART NUMBER & Description, NOT Illustration No.
Determine right or left hand side from standing in operating position (standing at handle)
Bold Text = Assemblies, Bulleted Text * = Items included in the Assemblies