

Masport®

DOMESTIC ROTARY MOWERS

SERIES 21

<u>Part Number</u>	<u>Model</u>	<u>Engine</u>
564896	S21 W/Cut 800AL 3'n1	B&S Ser 875

Month and Year of First Manufacture - July 2015

Starting Serial Number - 7938324



Issue A.2
ECN 03830
March 2018 PB
REF # 764896S

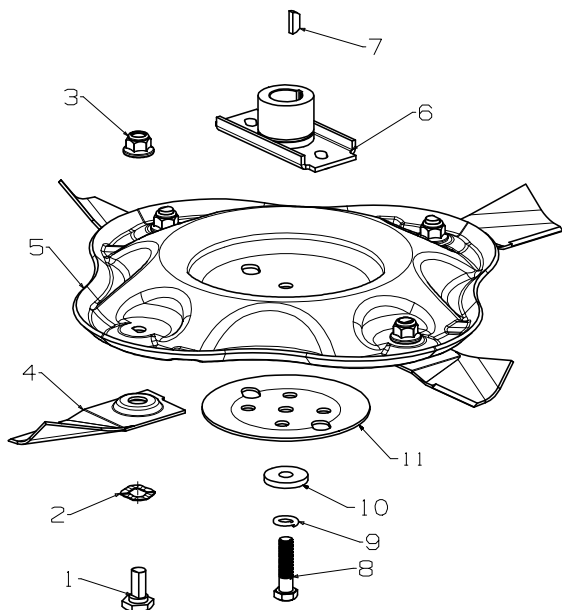


S21 W/C 800AL 3'n1

Masport

Issue A.2
ECN 03830
March 2018 PB
REF # 764896S

540mm Disc- Wavy, Assembly

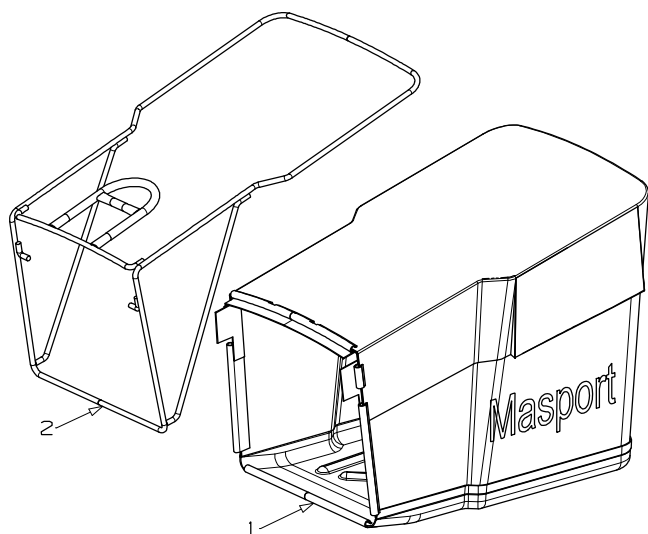


Item	Part No	Description	Qty
1	581707	Bolt- Pivot M10x22	4
2	580693	Washer, Wavy 13.4 x 24.2	4
3	503672	Nut, Flange Nyloc M10	4
4	579749	Blade, Quick Cut - 540mm	4
5	783314	KIT-Disc Blade Wavy (Includes items: 8, 9, 10, 11)	1
6	031640	Driver Assy-Blade - 25mm	1
7	503363	Key, Woodruff - 5/8"x3/16"x1/4"	1
8	503543	Screw,Set NF 3/8" x 1.5 NYG8	1
9	500204	Washer, Spring 3/8"	1
10	503855	Washer, Flat 9.75 x 30 x 4.0	1
11	567332	Plate- Stiffener, Disc Blade Assy	1

Blade & Bolt Sets

- 783692 **Bolt Set (4)**
Includes Items: 1, 2, 3
- 767390 **Blade-Quick Cut (4) 540mm**
Includes Items: 1, 2, 3, 4
- 773251 **Disc Assy- Wavy (4 Blade) 540mm**
Includes Items: 1, 2, 3, 4, 5, 8, 9, 10, 11

774827 Catcher Assembly, Bag 21" R NZ



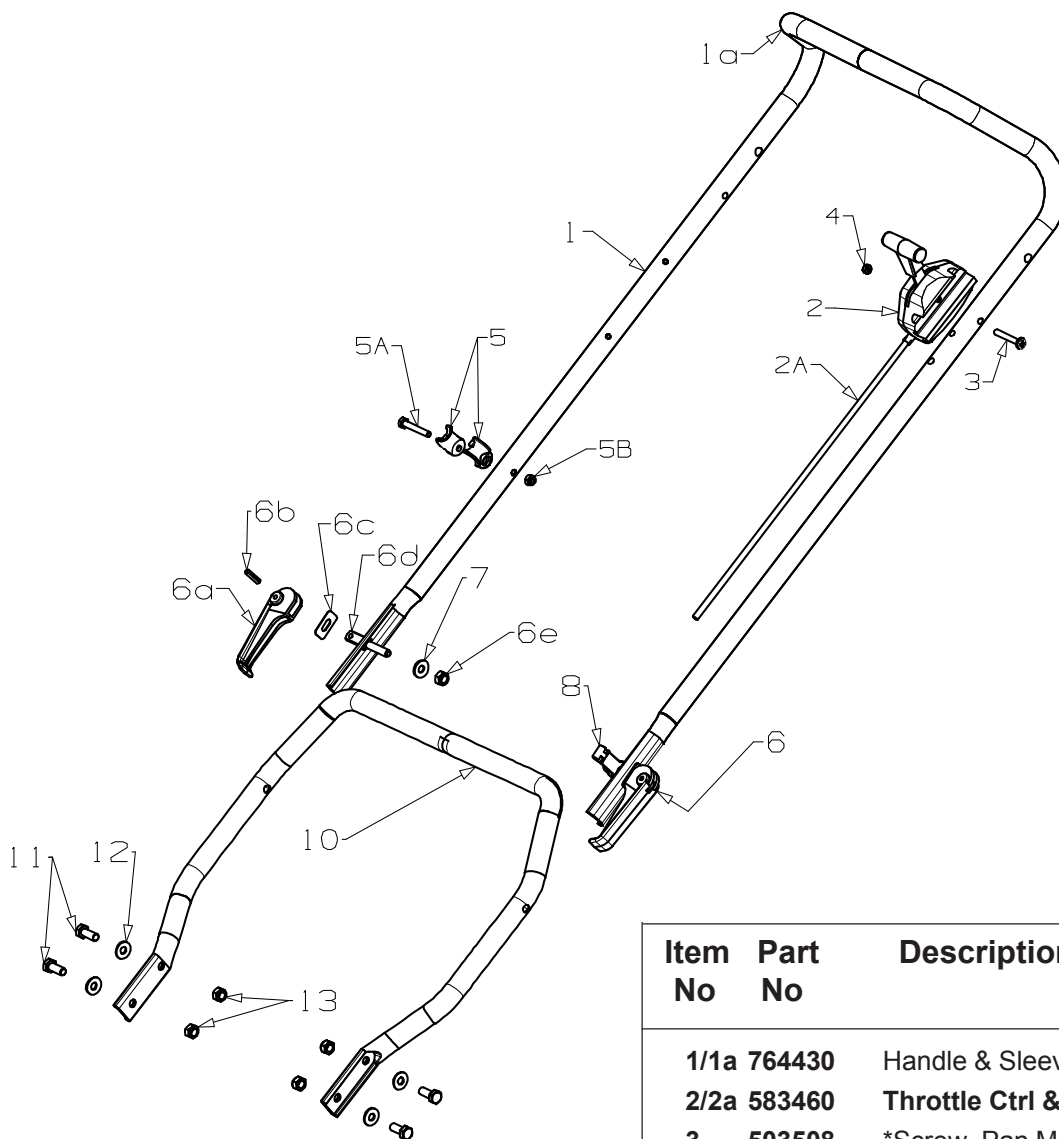
Item	Part No	Description	Qty
1	574827	Bag Assy- Catcher, 21" R NZ	1
2	574482	Frame Assy- Catcher, 21"	1



S21 W/C 800AL 3'n1

Masport

Issue A.2
ECN 03830
March 2018 PB
REF # 764896S



NOT ILLUSTRATED

503054	Tie- Nylon, Black	1
567545	Decal, HSG "NON RUST ALLOY"	1
573045	Decal, Noise S21 W/C 98db	1
579762	Decal, HSG S21 800	1
580778	Stop- Rope	1
582062	Decal,Height Combo	1
582241	Decal,Flap Caution 5T	1
583152	Owners Manual	1

Item No	Part No	Description	Qty
	1/1a 764430	Handle & Sleeve 21" SFT/BLK	1
	2/2a 583460	Throttle Ctrl & Cable,VE CH"T"	1
	3 503508	*Screw, Pan M6 x 55 Poz	1
	4 501764	*Nut, M6 Hex Nyloc x 6mm thick	1
	5 703856	Comfort Start Kit	1
	5A 503794	*Screw, Set M6 x 40	1
	5B 501764	*Nut, M6 Hex Nyloc x 6mm thick	1
	6 779755	Cam Lock Assy (1 per)	2
	6a 582419	*Lever- Handle, Locking MSV	1
	6b 503369	*Pin, Tension 5.0 x 22	1
	6c 016777	*Washer, Slipper	1
	6d 583041	*Stud- Handle Lock, 61mm	1
	6e 501793	*Nut, M8 Hex Nyloc x 8mm thick	1
	7 501606	Washer, Flat 8 x 19 x 1.6	2
	8 581527	Retainer-Control Cable, Handle	1
	10 964646	Handle-Lower, "U" 19" Long Blk	1
	11 501598	Screw, Set M8 x 25 Hex	4
	12 501606	Washer, Flat 8 x 19 x 1.6	4
	13 501793	Nut, M8 Hex Nyloc x 8mm thick	4

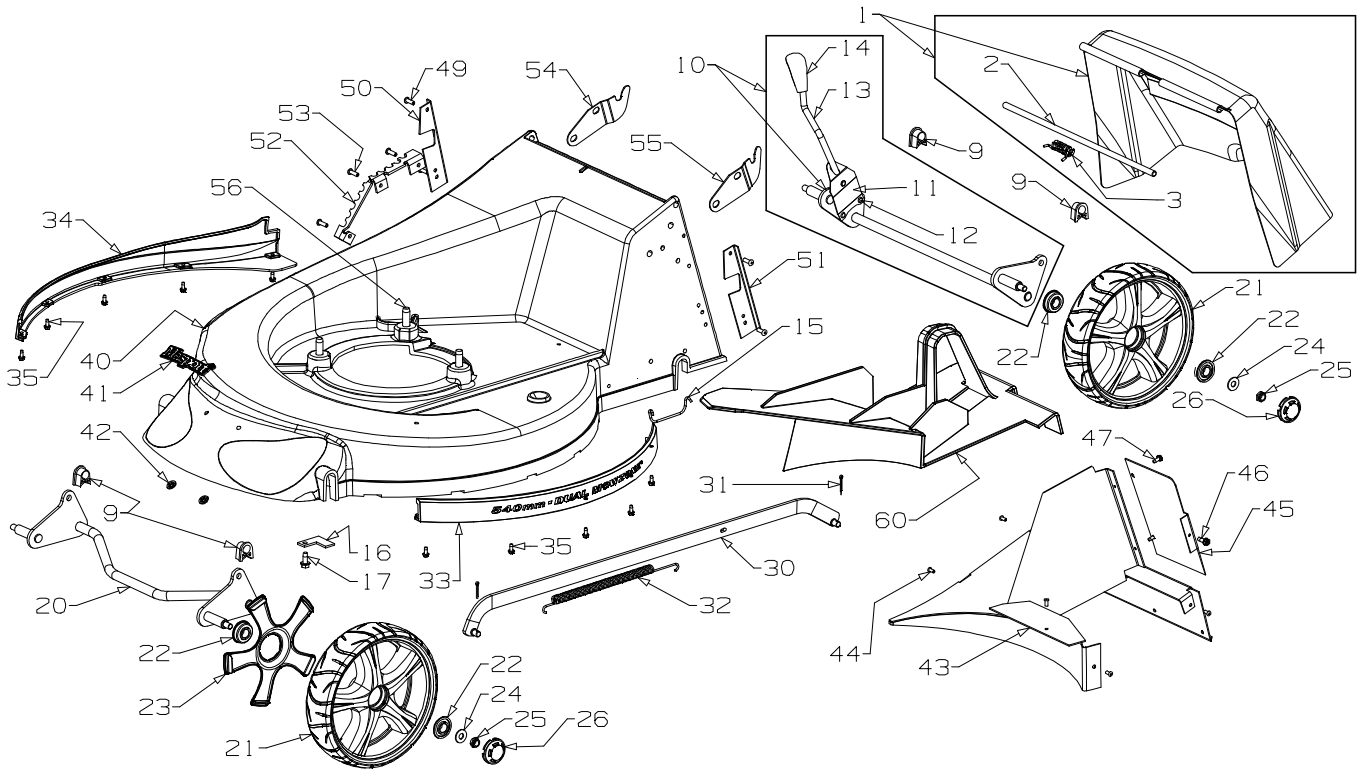
When ordering spares: PLEASE QUOTE PART NUMBER & Description, NOT Illustrated Number. Item Qty = 1 per part unless stated differently. **Bold Text** = Assemblies. Text starting with * = Items included in the Assemblies & may not be available as a spares item. Determine the left hand or right hand sides by standing in the operating position (standing at the handle).



S21 W/C 800AL 3'n1

Masport

Issue A.2
ECN 03830
March 2018 PB
REF # 764896S



Item No	Part No	Description	Qty	Item No	Part No	Description	Qty
1	764454	Flap Assy-Steel, Contractor Blk	1	32	581463	Spring, Counter Balance	1
2	583312	*Wire- Flap Pivot 325 x 8 ZP	1	33	579742	Skirt- Side, LH 540	1
3	565095	*Spring- Flap 19"/21" AL S/FL	1	34	579741	Skirt- Side, RH 540	1
9	580030	Bush- Pivot, Front Axle	4	35	503834	Screw, S/T M4 x 510 Washer	10
10	773282	Axle Assy, Rear Complete 21"	1	40	779783	HSG- Ali T 21" Combo TTNM	1
11	580649	*Spring- Leaf	1	41	567406	*Nameplate- MASPORT	1
12	503373	*Rivet- F/Head 3/16" x 27/64"	3	42	503150	*Clip- Starlock, 5 dia	2
13	973681	*Rod- Height Selector(MSV Knob)	1	43	967244	*Tunnel Assy, 21" SP	1
14	581729	*Knob- Height, Lever Adj MSV	1	44	503201	*Rivet- Pop 4x7.9	5
15	580225	Retainer, Axle Rear	2	45	564383	Tunnel- GBox Cover 21" Ali	1
16	565184	Plate- Retainer, Axle 21"	2	46	503489	Screw, Set M5x16 Tap/C HWF	1
17	501599	Screw, S/T 1/4 x 5/8	2	47	503630	Screw, S/T 10x.4 TYP B HWH	2
20	983305	Axle Assy, Front 200mm	1	49	503200	Rivet- Pop 4.8 x 13 73AS6-8	4
21	573706	Wheel Assy, 200mm Mag Silver (Includes 2 x 551212 per wheel)	4	50	564368	Bracket, Rear Flap RH	1
22	551212	Bearing -Wheel, Ball Type	8	51	573548	Bracket, Rear Flap LH	1
23	579205	Cover- Inner, Wheel Slvr	2	52	573582	Quadrant, Height Selector 21" ZP	1
24	501606	Washer, Flat 8 x 19 x 1.6	4	53	503204	Rivet- Pop 4.8x16.4 73SS 6-8	3
25	503831	Nut, M8 Hex Nyloc x 6mm thick	4	54	564300	Bracket- Catcher Mount, RH	1
26	579204	Hub Cap, Button Mag Slvr	4	55	564299	Bracket- Catcher Mount, LH	1
30	571031	Rod Assy, Connecting 540	1	56	580453	Screw, S/T 3/8 x 1-1/8" UNC	3
31	501056	Pin, Cotter 2.3dia x 16	2	60	773059	Insert, Mulching 21" Ali	1

When ordering spares: PLEASE QUOTE PART NUMBER & Description, NOT Illustrated Number. Item Qty = 1 per part unless stated differently. **Bold Text** = Assemblies. Text starting with * = Items included in the Assemblies & may not be available as a spares item. Determine the left hand or right hand sides by standing in the operating position (standing at the handle).