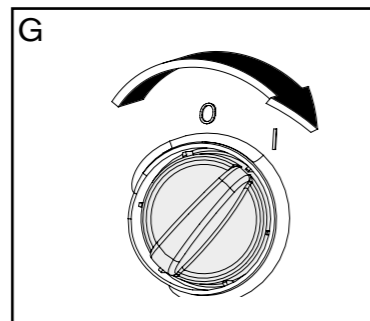
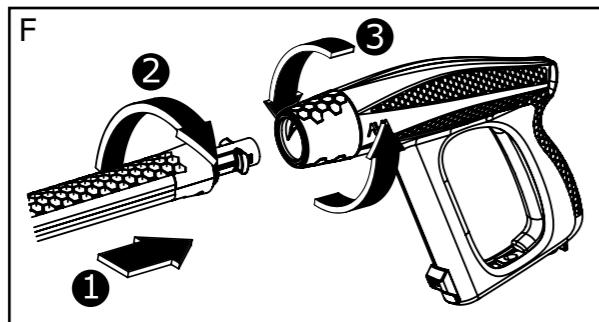
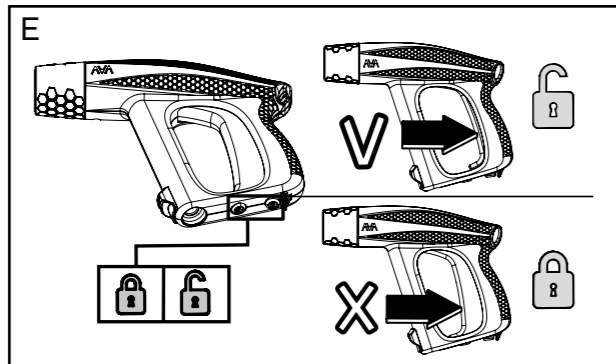
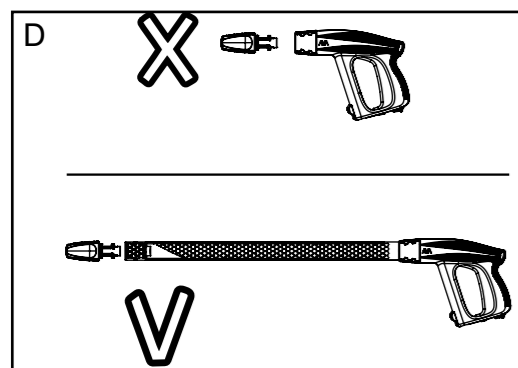
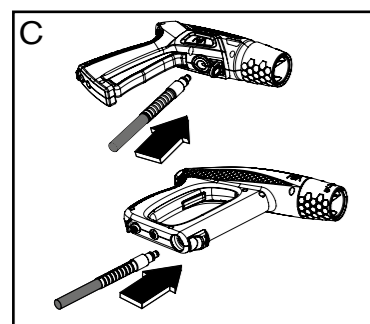
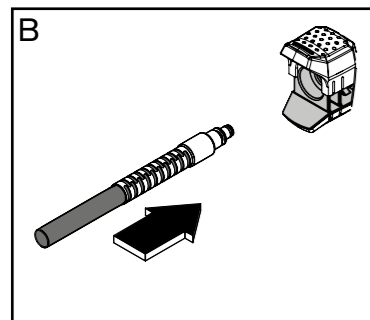
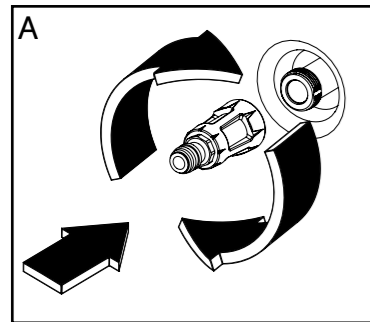


Masport[®] / **AVA**
SERIES

GO PRESSURE WASHERS





0°					
Turbo					
15°					
Vario 20°					
25°					
40°					
60°					
Vario 60°					

H

English

Please read these operating and safety instructions along with any other disclosed documents prior to initial use of the device. Keep all documents for future reference.

Introduction

Congratulations on your new pressure washer! This appliance is a powerful tool and needs to be handled with care.

AVA uses clever engineering to improve cleaning efficiency, and you might experience a higher level of efficiency than on comparably specified appliances you have tried previously. Always perform a cleaning test on an area that is less visible and familiarize yourself with the included accessories.

Your AVA appliance always includes a high-pressure hose, high pressure gun, a lance, a nozzle and a purpose-built inlet filter with a garden hose connector. Never use a regular garden hose connector without filter directly on the machine. If you have purchased an expanded bundle, there might be additional accessories included. The contents of the delivery scope are described in a separate document.

Explanation of Symbols



WARNING! Do not direct the jet at any persons, animals or electrical equipment.



WARNING! Read safeguards, warnings and safety tips carefully.



Machine not suitable for connection to potable water mains without a back-flow valve, unless the water pressure exceeds 1 bar.



Read the manual



Double insulation

Safeguards, Warnings and Safety Tips



To avoid personal injury and/or damage to property and to maximize your power washing experience, carefully follow all the safety tips, instructions, warnings and

safeguards and familiarize yourself with all the controls. Ensure that you know how to quickly bleed off the pressure from all parts of your power washer, and how to turn the power washer off.

- Always wear eye protection to prevent injury to the eyes when operating the power washer.

- This power washer conforms to CE and other safety and consumer standards. Do not modify or rebuild any part of your power washer.

- Do not use your power washer when under the influence of alcohol or drugs. Use this power tool carefully and only when you are alert.

- Watch your balance and footing while using your power washer. Surfaces become slippery when wet and are extra slippery when using a detergent or cleaner.

- Never operate the power washer barefoot, wearing sandals, or open-toed shoes. Be sure to wear protective, fully covered shoes or boots.

- When using the power washer near children make sure they are closely supervised by an adult to avoid injury. Never let a child use the power washer.

- Keep fingers, hands, feet and parts of your body clear of the high-pressure water jet. The powerful spray can cause blindness or tear holes in the skin. Pay attention around all glass surfaces, as the jet could actually break a window if you are too close when you pull the trigger on the spray gun.

- To avoid mishaps or injury, always use the trigger safety lock when not using the power washer even if the spraying stops for just a moment.

- Always test the surface to ensure that you do not damage it with the high pressure.

- Point the spray gun in a safe direction when beginning a power washing session.

- When first using the spray gun, hold the spray gun and lance with two hands to avoid mishaps or injury, and always use the trigger safety lock when not using the power washer even if the spraying stops for just a moment.

- When you press the power switch to turn the power washer off, water pressure may remain in the system. To discharge the pressure, point the spray gun in a safe direction and pull the trigger.

- Never spray flammable liquids.

- Never use the power washer in areas that contain combustible dust, liquids or vapors.

- Avoid contact of the pressure hose with sharp objects and examine the hose regularly. Replace if damaged. Due to the high pressure involved, it cannot be repaired if cut or damaged.

- Only use detergent specifically formulated for power washers and follow the instructions on the detergent label. Dish or laundry soap is too thick and will clog the nozzle of your lance and detergent

bottle.

- Protect eyes, lungs, and skin from exposure to detergent.
- **IMPORTANT:** Store the power washer indoors to prevent the water in the unit from expanding under freezing conditions. When the water freezes and expands, your power washer will be damaged and become inoperable.
- Never use hot water with your power washer(40°C+). It will overheat and damage the high-pressure pump.
- Never leave the power washer unattended while it is powered “on”.
- Always turn the water supply “on” before turning the power washer power “on”. Running the pump dry will damage the internal components.
- Never use a water supply to your power washer exceeding 7 bar maximum.
- Never disconnect the high-pressure hose from the power washer while the system is pressurized.
- Never permanently engage the trigger mechanisms on the spray gun.
- Never operate the power washer unless all components are properly and securely connected.
- Never allow the power washer pump to run for more than one minute after turning off the water supply. This can cause the motor and pump to overheat and fail.
- Only use lances and accessories that are specified to withstand the water pressure of the machine.
- Never spray any electrical outlet with your power washer.
- Inspect the power cord before use. Do not use it if damaged.
- If the supply cord is damaged, it must be replaced by the manufacturer, its service agent or similarly qualified persons in order to avoid hazardous situations.



CAUTION: Read the instructions before using the machine.

- The machine should not be used by children. Children should be supervised to ensure that they do not play with the machine.
- The appliance can be used by people with reduced physical, sensory or mental capabilities, or lack of experience and knowledge, if they have been given supervision or instruction concerning use of the appliance in a safe way and understand the hazards involved.
- The electric supply connection must be made by a qualified electrician and comply with the pressure washer's specifications. It is recommended that

the electric supply to this machine should include either a residual current device that will interrupt the supply if the leakage current to earth exceeds 30 mA for 30 ms or a device that will prove the earth circuit.

- **WARNING:** This machine has been designed for use with the cleaning agent supplied or recommended by the manufacturer. The use of other cleaning agents or chemicals may adversely affect the safety of the machine.
- **WARNING:** High pressure jets can be dangerous if misused. The jet must not be directed at persons, live electrical equipment or the machine itself.
- **WARNING:** Do not use the machine within range of people unless they wear protective clothing.
- **WARNING:** Do not direct the jet against yourself or others in order to clean clothes or footwear.
- **WARNING:** Risk of explosion – Do not spray flammable liquids.
- **WARNING:** High pressure hoses, fittings and couplings are important for the safety of the machine. Use only hoses, fittings and couplings recommended by the manufacturer.
- **WARNING:** To ensure machine safety, use only original spare parts from the manufacturer or approved by the manufacturer.
- **WARNING:** Water that has flowed through back-flow valves is considered non-potable.
- **WARNING:** The machine shall be disconnected from its power source by removing the plug from the socket-outlet during cleaning or maintenance and when replacing parts.
- **WARNING:** Do not use the machine if a supply cord or important parts of the machine, are damaged, e.g. safety devices, high-pressure hoses, trigger gun.
- **WARNING:** Inadequate extension cords can be dangerous. If an extension cord is used, it must be suitable for outdoor use, and the connection must be kept dry and off the ground. It is recommended to accomplish this by using a cord reel that keeps the socket at least 60 mm above the ground.
- **WARNING:** Always switch off the mains disconnecting switch when leaving the machine unattended.

Servicing of a Double-Insulated Appliance

In a double-insulated product, two systems of insulation are provided instead of grounding. Grounding means are not provided for a double-insulated product, nor should grounding means be added to the product.

Servicing a double-insulated product requires

extreme care and knowledge of the system and should only be done by qualified service personnel. Replacement parts for a double-insulated product must be identical to the original parts. A double-insulated product is marked with the words “Double Insulation” or “Double Insulated”. Product may also be marked with symbol shown below.



Unpacking & Preparation Instructions

After unpacking the high pressure washer, lay out the parts and accessories. Familiarize yourself with the parts in the package by comparing them to those listed on the box and attached documents. If assembly is required, refer to the attached assembly instructions.

Water Inlet Connection

Attach the included water inlet filter as shown in illustration A, hand tightening is enough. Never use a standard inlet connector without water filter. Attach your garden hose to the filter connector. The included water filter fits standard quick connectors for garden hoses (Gardena).

High Pressure Hose

Ensure that there is no visible damage of the high-pressure hose, and connect it to the female connector on the machine as shown in illustration B. Connect the other end into the high-pressure gun as shown in illustration C. One or both of these connections may already be connected from the factory. If both ends look the same, the hose can be used in either direction. Make sure the hose clicks into place and is securely fastened.

High Pressure Gun

After connecting the pressure gun to the hose, test the trigger and safety lock. Open the water outlet valve going into the machine, and make sure there are no leaks. No water should be able to escape the water inlet connector, machine, high-pressure hose or high-pressure gun. Make sure the safety lock/child proofing works, as shown in illustration D. It should not be possible to suppress the trigger while the safety lock is engaged. Unlock the safety and suppress the trigger until there is a steady and even water stream from the gun.

Spray Gun, Lance and Accessories

The pressure washer is meant to be used with accessories mounted on the pressure gun.

All accessories are attached using a bayonet connector. Push the bayonet end into the female bayonet connector, twist counterclockwise and let go. Ensure that the accessory is securely fastened. Refer to illustration E. All accessories, except for accessories using pinpoint nozzles (for instance the turbo nozzle) can be attached directly on the gun. For safety reasons, accessories that use pinpoint nozzles (for instance the turbo nozzle), are only to be used with included lance(s), see figure F. This is due to safety regulations that dictate a minimum distance between the handle and harmful water jets. One or more of the pictured nozzles are included as standard.

Test and Startup

Plug the power cable into an approved power outlet. To the extent possible, AVA recommends using a pressure hose extension (not included) rather than using a power cord extension. If an extension cord is used, it must be approved for outdoor use, and the cross section of the cord needs to be minimum 1.5 mm² on up to a 10m cord, and minimum of 2mm² from 10m to 20m cords. Never use a cord that exceeds 20m. Ensure that the safety lock on the trigger is engaged. Turn the power switch on the machine to “1,” see illustration G. The machine has the international symbols “0” for off, and “1” for on. The machine should make a short motor sound, and quickly stop. Direct the pressure gun in a safe direction, disengage the safety lock and suppress the trigger. The machine will now start, and there might be a noticeable kick-back/movement in the gun. Every time the trigger is released, the machine should quickly stop.

Familiarize yourself with the different pressure nozzles and the water jets they deliver. The relation between power, work area and distance is explained in illustration H.

Operating Instructions

Consider the user manual and warnings and use common sense. There are different opinions on what can be cleaned using high pressure, but from our experience, common sense will get you a long way. Illustrations H and I show some of the possibilities and areas of use, but we recommend also visiting our website for more information. Remember that the water force decreases while the contact area increases with larger surface distance.

Remember to always engage the safety lock while not holding the pressure gun and follow the “after use” instructions before storing the machine. If the

motor turns on for short periods, this is completely normal. The pump is priming itself to be ready to go for when the pressure gun trigger is suppressed. Turn the pressure washer off, if not used for periods longer than 5 minutes. Do not press the trigger several times in quick succession, as this can cause the total stop system to malfunction. Squeeze the trigger slowly and methodically. The O-rings inside the bayonets and extension lances should be cleaned regularly and lubricated using grease or silicone-based lubricant. For instructions on extra accessories, purchased separately or bonus items, go to the AVA website: www.avabymasport.com

Packing and storage

When you are finished using the machine, do the following: Engage the safety switch on the pressure gun. Turn the power switch on the machine from 1 to 0 and turn off the water flow from the faucet. Disengage the safety switch and press the trigger to release the remaining high pressure. Be aware that the system still is pressurized up to this point and be sure to point the spray in a safe direction. Disconnect the garden hose and detach nozzle and/or lance from the gun. Press the trigger once again. Some water may exit the water inlet connection or the gun. Finish by engaging the safety switch on the gun and disconnect the power plug.

Store the machine and accessories in an environment that has no risk of freezing temperatures. If this presents a challenge, follow the instructions for freeze protecting the machine on the AVA website: www.avabymasport.com. Good luck with your new pressure washer. We hope that it will provide satisfaction for years to come, whether you love cleaning, or want to get things done quickly. In both cases you have made the best possible decision in buying an AVA.

General Tips

- Firstly, the best advice we can give is to visit www.avabymasport.com to learn more about your pressure washer, as well as techniques, accessories, etc.
- Clean from the bottom up. This helps you see what you have cleaned and ensures that you don't rinse away cleaning agents before you actually clean. Finally, rinse from the top down. This tip applies to almost everything you would want to clean.
- Do not store the pressure washer near heaters or other heat sources, as this could cause the gaskets inside the pump to dry out.
- Remember: There will always be residual water

left in the pump. Water that dries up over time could leave lime or humus behind, which can get stuck in the movable parts of the pump. A pressure washer that gets used regularly will normally last longer than one that only sees use once every year.

- If the machine is to be stored for extended periods without being used, we recommend following the guidelines for long-term storage found on www.avabymasport.com
- The filter on the water inlet connector should be cleaned regularly. Push a pen or pencil into the smallest opening in the detached connector and push the filter out. Rinse in clean water and reassemble.
- Familiarize yourself with all documentation in the box, and also check www.avabymasport.com regularly, if you are interested in new products or accessories for your pressure washer.

Dos & Don'ts

For outdoor use on surfaces that is suitable for pressure washing, try on a small area to check that you don't damage the surface. Damage to surfaces being cleaned occurs because the impact force of the water pressure exceeds the durability of the surface. Bare wood can be penetrated; paint can be peeled off, etc. You can vary the force of your power washer by controlling:

- the angle of the water spray to the surface being cleaned
- the distance of the nozzle from the surface being cleaned

Never use a narrow high-pressure stream of water from the lance on soft surfaces susceptible to damage.

3rd Party Equipment

If you want to use equipment from another pressure washer or manufacturer, be aware of the following:

- For accessories to be compatible they need to be fitted with the same bayonet connection that AVA uses. Compare the accessories and never try to attach equipment that appears significantly different.
- Low-pressure equipment, such as waterflow brushes, rim brush etc. can be used regardless of AVA model, as long as the bayonet adapter can be attached to the lance.
- High-pressure equipment, such as fixed nozzles, rotating nozzles, patio cleaners etc. all have nozzle openings that are adjusted for machine specifications. It is important not to mix accessories made for differently specified machines. A general guideline is to compare the specified wattage of the machine that the accessory is meant for with the wattage of the machine you wish to use. If they

are approximately the same, you can generally use the equipment interchangeably.

- If the machine is pulsing (turns quickly on and off while spraying), the accessory cannot be used.
- Some pressure guns use the same hose connection as AVA. If a pressure gun fits the hose of your AVA pressure washer, it can be used as an adapter for other accessories. You still have to follow the above guidelines, and AVA original accessories will always be the best choice.

Maintenance

When you are done using the machine, wipe the pressure washer clean using a damp cloth. Never clean the machine or other electrical appliances with the pressure washer.

To ensure that the accessories last as long as possible, rinse away soap and grime after use.

Keep all couplings free of grime and check the o-rings on the machine and accessories. Any damaged o-rings need to be changed before using the machine. Seized couplings can be improved by applying grease.

TROUBLE SHOOTING AND FAQS

Unit will not turn on.	Make sure the power washer is in the "OFF" position. Plug in the electrical cord to a grounded 230 volt outlet (no electrical extension cord should be used).
The high pressure (HP) hose will not connect / stay connected to the spray gun. Is this a spray gun problem?	In most cases, the spray gun is not the problem. The problem is the rubber sleeve covering the fitting at the end of the high pressure hose. It has likely slipped up toward the metal tip. The fix: wiggle, twist and/or pull the rubber sleeve down until the entire tip is visible plus an 1/8" of the metal fitting below the tip. Now try to insert the hose tip into the spray gun. It should "click" into place and will not come out until the hose is released by pushing in the lever on the underside of the gun. You may cut away the end of the sleeve with a sharp knife if unable to move the sleeve down. Be careful not to cut or puncture the hose.
The unit is running but there is not water flow	Check the water source. Unclog the nozzle on the lance. (See nozzle cleaning instructions under "Cleaning nozzles".) Or take off the lance and just spray out of the spray gun. This will indicate if the problem is with the lance or the spray gun
Why is water leaking where the high pressure hose connects to the spray gun?	Make sure there is an o-ring at the end of the metal tip of the high pressure hose. If no o-ring is present, the connection between the hose and spray gun will leak.
I can't remove the lance from the spray gun. What should I do?	The lance is attached and removed from the spray gun in the same manner. Insert the quick-release end of the lance into the spray gun. Press the spray gun and lance together (about a 1/8") and turn clockwise. The lance will lock in place. Remove the lance by reversing this procedure. Press the spray gun and lance together and turn counter clockwise. The lance will slide out. Or, hold the spray gun and lance in an upright position with the nozzle end on the floor. Push the whole assembly straight down to loosen the connection, and then follow the removal process again. You may also spray soapy water or a lubricant in the area where the lance connects to the spray gun. Remember to loosen/tighten the locking collar on the lance in between operations!
The power washer turns on for 2 seconds, shuts off, and will not turn back on. Do I have a defective unit?	No, it sounds like your power washer is working just fine. When the water is connected, the accessories are assembled properly, and the power switch is turned on, the power washer will turn on for 1 - 2 seconds to prime the pump. It automatically shuts off and waits for the spray gun trigger to be squeezed. When the trigger is squeezed, water starts flowing through the pump. The water sensor in the pump "senses" the moving water and automatically turns the power washer on. Or, turn the power switch to off, hold in the trigger on the spray gun, so that you have a steady stream of water. While you are holding the trigger open on the spray gun, at the same time, turn the power switch on.

Masport / AVA - GO Series

EN - Technical Data

Pressure washer		P30	P40	P50	P55
Article number	See article number (rating plate) on pressure washer				
Rated power	kW	1,6	1,7	1,8	2
Supply temperature max.	°C	40	40	40	40
Supply rate min.	l/min	6	6,5	7	7,5
Allowable pressure	MPa	11	12	13	13
Rated pressure	MPa	7,4	8	9	9,4
Rated Flow	l/min	5	5,2	6	6,5
Maximum inlet pressure	MPa	0,7	0,7	0,7	0,7
Autostop function		•	•	•	•
Weight according to EPTA-Procedure 01:2014	kg	5,7	7,85	8,77	11
Protective class		II	II	II	II
Serial number	See serial number (rating plate) on pressure washer				

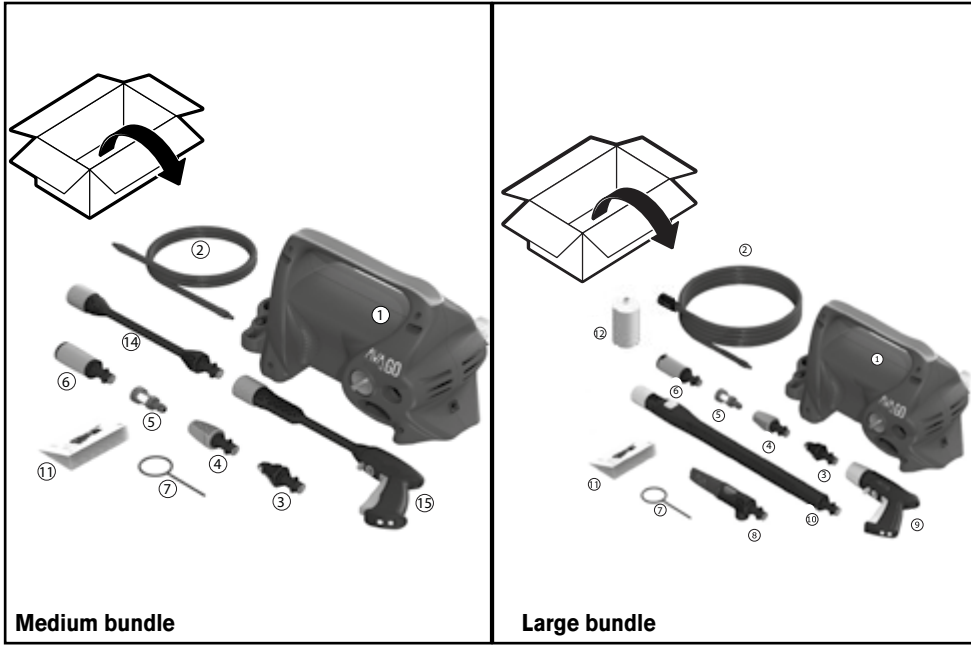
"The values given are valid for a nominal voltage [U] of 230 V. For different voltages and models for specific countries, these values can vary. Starting cycles generate brief voltage drops. Interference with other equipment/machines may occur in case of unfavorable mains system conditions. Malfunctions are not to be expected for system impedances below 0.276 ohm. If in doubt please contact your Supply Authority."

Noise/Vibration Information		P30	P40	P50	P55
Sound emission values determined according to EN 60335-2-79.					
Typically the A-weighted noise levels of the product are:					
Sound pressure level	dB(A)	80,5	80,5	80,5	80,5
Sound power level	dB(A)	92	92	92	92
Uncertainty K	dB	3	3	3	3

Wear hearing protection!

Vibration total values ah (triax vector sum) and uncertainty K determined according to EN 60335-2-79:

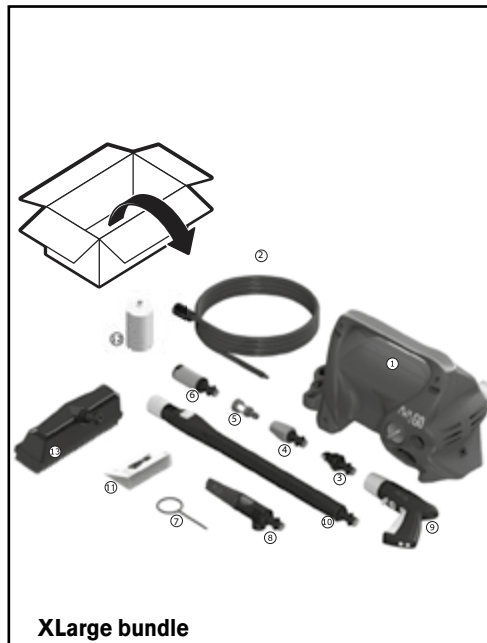
Vibration emission value a _h	m/s ²	0.235	0.235	0.235	0.235
Uncertainty K	m/s ²	0.527	0.527	0.527	0.527



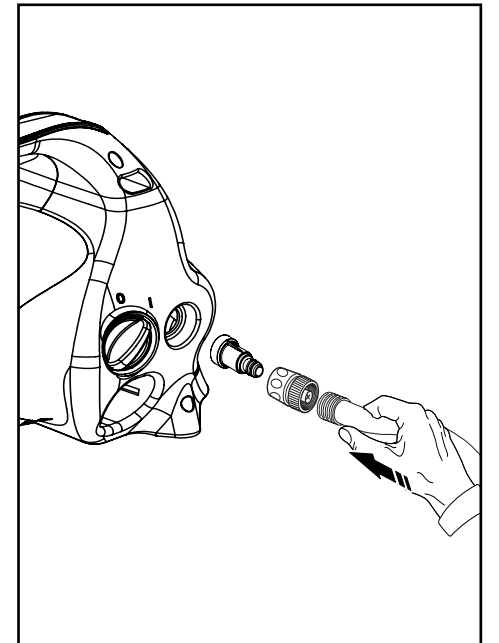
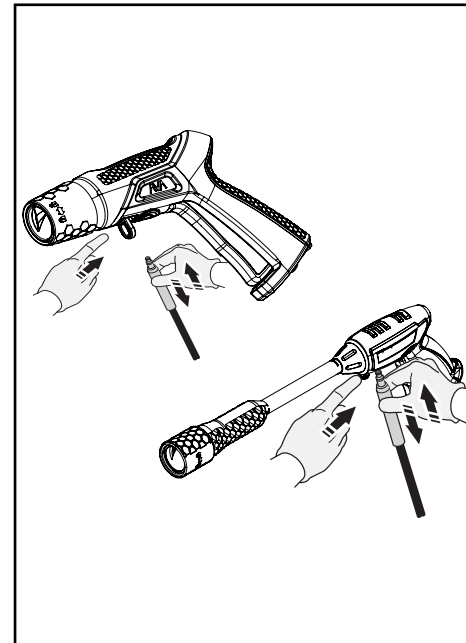
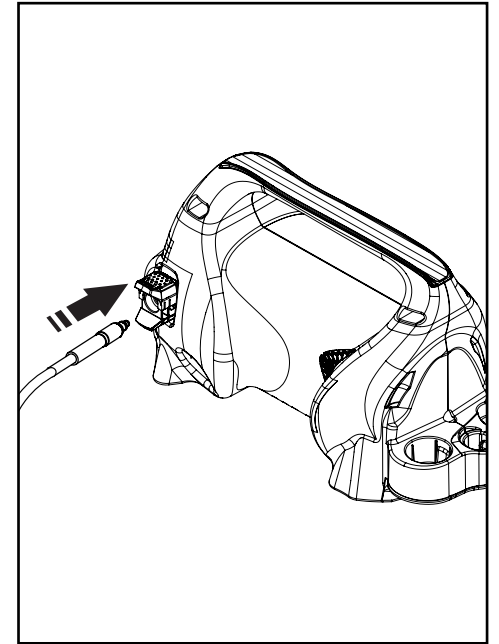
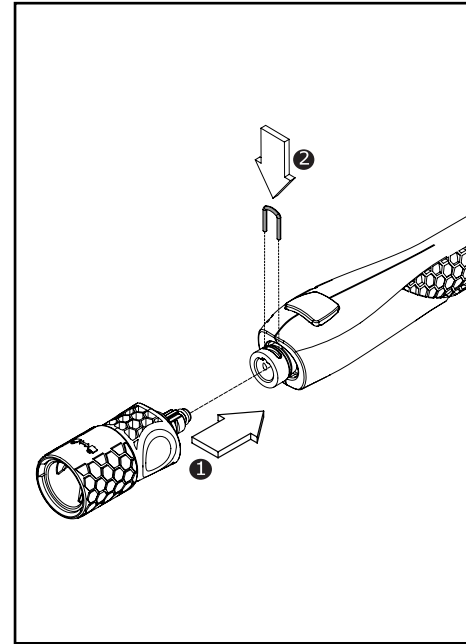
Medium bundle

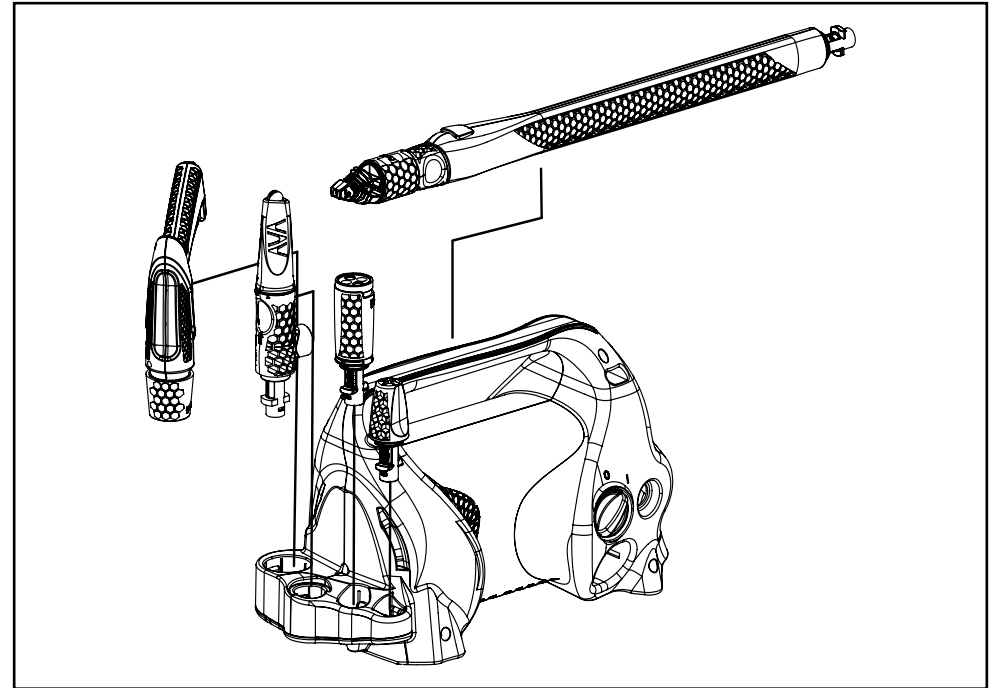
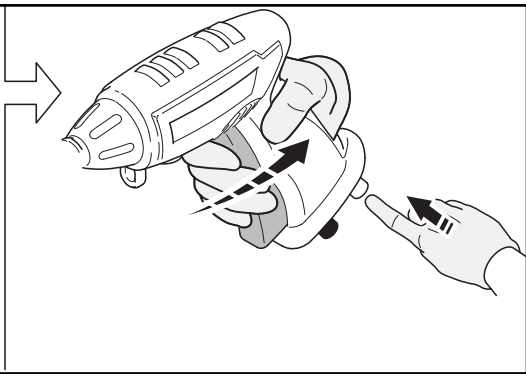
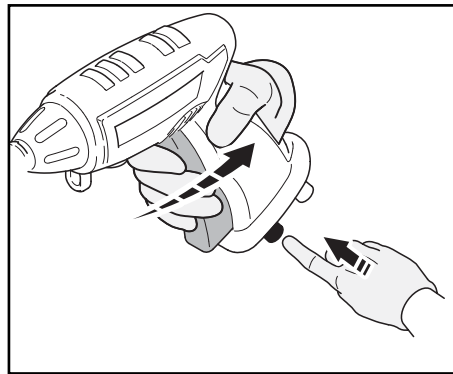
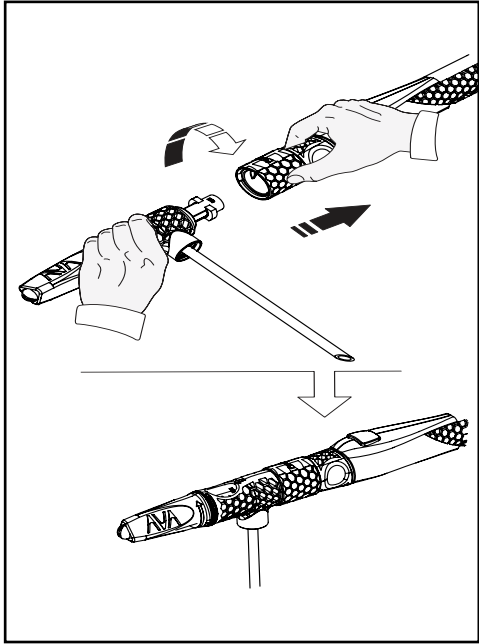
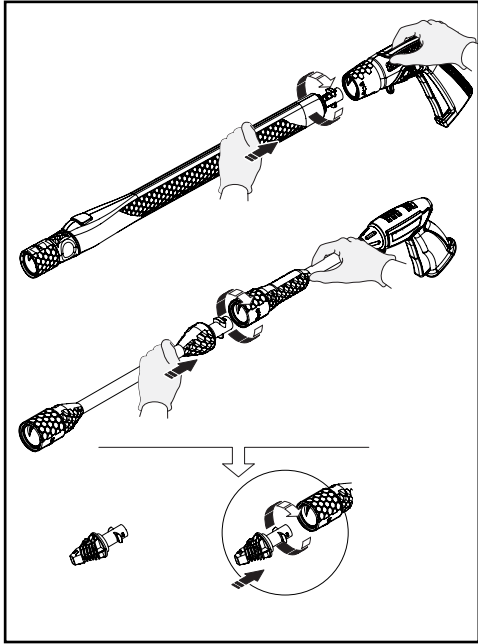
Large bundle

- ① Pressure washer
- ② Pressure hose
- ③ 15° fixed nozzle
- ④ Turbo nozzle
- ⑤ Water filter
- ⑥ Vario Nozzle
- ⑦ Cleaning Pin
- ⑧ Foam cannon
- ⑨ High pressure gun Go
- ⑩ Zoom lance
- ⑪ User manual
- ⑫ Detergent bottle
- ⑬ Facade brush
- ⑭ 35cm Fixed lance
- ⑮ Long high pressure gun



XLarge bundle







EN CE declaration of Conformity
 DE CE-Erklärung
 NO CE Samsvarsærklæring
 DA CE- Overensstemmelseserklæring
 SE CE-försäkran
 FI CE vaatimustenmukaisuusvakuutus
 IS CE Yfirlýsing um samræmi



ENCE Declaration of Conformity explains the following conformity according to EU directives and norms for high pressure cleaner model: DECE Konformitätserklärung erklärt die folgende Konformität gemäß EU-Richtlinien und Normen für das Hochdruckreinigermodell: NOCE Samsvarsærklæring som forklarar følgende overensstemmelse i henhold til EU-direktiver og standarder for højtrykksvasker, modell: DACE Overensstemmelseserklæring der forklarer følgende overholdelse i henhold til EU direktiver og standarder for højtrykksvaskemodell: SECE-försäkran förklarar följande överensstämmelse enl. EU-direktiv och standarder för artikeln: FICE-vaatimustenmukaisuusvakuutus selittää seuraavan EU:n direktiivien ja korkealla paineella toimivien pesurimallien normien mukaisuuden: ISCE Yfirlýsing um samræmi útskýrir eftirfarandi samræmi samkvæmt Evróputilskipunum og venjum er varða háþrýstidælar: ELa declaración de conformidad de la CE exige el cumplimiento de las directivas y las normas de la UE para el modelo de máquina de lavado de alta presión: ITLa Dichiarazione di conformità CE illustra la seguente conformità secondo le direttive e le norme UE per il modello di pulitore ad alta pressione: PTA Declaração de conformidade da CE explica a seguinte conformidade, de acordo com as diretrizes e normas da UE para o modelo de lavadora de alta pressão: PLDeklaracja zgodności CE określa zgodność z dyrektywami i normami UE dla modelu myjki wysokociśnieniowej: NLDe CE-conformiteitsverklaring stelt de volgende conformiteit volgens EU-richtlijnen en normen voor hogedrukreinigers vast: FRLa déclaration de conformité CE explique la conformité suivante conformément aux directives et normes de l'UE pour le modèle du nettoyeur haute-pression: RUDeklaracja соответствия CE объясняет следующее соответствие согласно директивам и нормам ЕС для моделей очистителей высокого давления:

AVA GO P30/P40/P50/P55

(2006/42/EC)(2006/95/EC)(2004/108/EC)(2011/65/EU)

(EN 55014-1)(EN 55014-2)(EN 60335-1)EN 60335-2-79)(EN 61000-3-2)

(EN 61000-3-11)

ENApplied	conformity	evaluation	method:	DEAngewandte	Konformitätsbewertungsmethode:	
NOAnvendt	overensstemmelsesvurderingsmetode:			DAAnvendt	overensstemmelsesvurderingsmetode:	
SETillämpade	harmoniserade	normer:	FIKäytetty	vaatimustenmukaisuuden	arviointimenetelmä:	
ISAðferð sem notuð var til að meta samræmið:			ESMétodo de evaluación de conformidad aplicado:			
ITMetodo di valutazione della conformità applicato:			PTMétodo de avaliação de conformidade aplicado:			
PLZastosowana metoda oceny zgodności:			NLDe toegepaste methode voor evaluatie van conformiteit:			
FRMéthode d'évaluation de la conformité appliquée:			RUPрименяемый метод оценки соответствия:			
EN Appendix	NO Vedlegg	SE Appendix	IS viðauka	IT Allegato	PL Załącznik	FR Annexe
DE Anhang	DA Appendiks	FI liite	ES apéndice	PT apêndice	NL Bijlage	RU приложение



EN Sound power level DE Schalleistungspegel NO Lydstyrke DA Lydeffektniveau SE Bullernivå FI Äänitehotaso IS Hljóðafsstig ES Nivel de potencia acústica IT Livello di potenza Sonora PT Nivel de potência sonora PL Poziom moc akustycznej NL Geluidsvermogensniveau FR Niveau de puissance acoustique RU Уровень звуковой мощности

EN Measured DE Gemessen NO Målt DA Målt SE Uppmätt EN Guaranteed DE Garantiert NO Garantert DA Garanteret
 FI Mitattu IS Mælt ES Medido IT Misurato PT Medido SE Garanterad FI Taattu IS Tryggt ES Garantizado
 PL Zmierzony NL Gemeten FR Mesuré RU Замеренный IT Garantito PT Garantido PL Gwarantowany NL Gegarandeerd FR Garanti RU Гарантированный

92 dB (A)

95 dB (A)

EN Person in charge of the technical file: DE Verantwortlicher für die technische Dokumentation NO Person med ansvar for den tekniske filen: DA Person med ansvar for den tekniske fil: SE Person med ansvar för den tekniska filen FI Teknisestä dokumentoinnista vastaava henkilö: IS Ábyrgðarmaður á tæknilegum skjólum: ES Persona responsable del archivo técnico: IT Responsabile della scheda tecnica: PT Responsável pelo processo técnico: PL Osoba odpowiedzialna za dokumentację techniczną: NL De eindverantwoordelijke van het technisch document: FR Responsable du dossier technique: RU Лицо, ответственное за техническую документацию:

AVA of Norway A/S
 Morten Torlei
 Storebotn 67
 5309 Kleppesta
 Norway

Morten Torlei
 CEO
 AVA OF NORWAY A/S





OWNER'S WARRANTY

For Pressure Washer

IMPORTANT. Please read the Owner's Manual and Warranty before using this product. The Warranty does not cover damage due to misuse or failure to follow the instructions.

THE MASPORT EXPRESS WARRANTY PRESSURE WASHER PRODUCTS

1. Warranty provider

- 1.1 The Express Warranty set out below is provided by Masport Limited, a New Zealand company located at 320 Ti Rakau Drive, East Tamaki 2013, Auckland, New Zealand. For any questions regarding this Express Warranty or to make a warranty claim call 0800 627 767 (New Zealand) or 1300 366 225 (Australia), or contact your local Masport Specialist Retailer.

2. General warranty coverage

- 2.1 The New Zealand Consumer Guarantees Act 1993 ("New Zealand Consumer Act") and the Australian Competition and Consumer Act 2010 (including the Australian Consumer Law 2011) ("Australian Consumer Law"), as well as other laws in each of those jurisdictions, guarantee or imply certain conditions, warranties and undertakings, and give you other legal rights, in relation to the quality and fitness for purpose of our products sold in New Zealand and Australia respectively.
- 2.2 For products sold in New Zealand, these conditions, warranties and undertakings cannot be modified or excluded by any contract, except in those circumstances contemplated by section 43(2) of the New Zealand Consumer Act.
- 2.3 For products sold in Australia, our goods come with guarantees that cannot be excluded under the Australian Consumer Law. You are entitled to a replacement or a refund for a major failure and for compensation for any other reasonably foreseeable loss or damage. You are also entitled to have the goods repaired or replaced if the goods fail to be of acceptable quality and the failure does not amount to a major failure. What constitutes a major failure is set out in the Australian Consumer Law.

3. Express Warranty

- 3.1 Masport warrants to you that each Product will be free from material defects in workmanship or materials from the date the Product is originally purchased for a period of 5 years, plus an additional 2 years upon registration (up to 7 years total).
- 3.2 Despite the warranty period listed above, where the Product is used for business, commercial, industrial, institutional, rental or other income-producing purposes, the warranty period for each Product is 3 months from the date the Product is originally purchased.
- 3.3 Masport will repair or replace (at Masport's sole option) any Product that does not comply with the Express Warranty. The repair or replacement by Masport may be performed by a Masport agent or Specialist Retailer. You will not be charged for any labour costs involved in the repair or replacement but must bear the cost of transporting or delivering the Product to and from the location of the Masport agent or Specialist Retailer where the warranty claim is made.
- 3.4 Masport warrants that repair facilities and spare parts will be made available for each Product only from the date the Product is originally purchased until the end of the applicable warranty period as set out in the table above or in clause 3.2, but for no longer period.

4. Exclusions from Express Warranty

- 4.1 No warranty is given under clause 3 where any defect, malfunction or failure is caused or contributed to by any of the following:
- (a) warranty excludes batteries;
 - (b) modification, repairs or alteration of the Product carried out by persons other than authorised Masport service agents;
 - (c) acts or omissions by anyone other than Masport after the Product has left Masport's control;
 - (d) normal wear and tear;
 - (e) accidental damage, neglect, misuse;
 - (f) any event outside of Masport's reasonable control, including without limitation, adverse weather conditions;
 - (g) pre-delivery assembly of the Product by anyone except for Masport, Masport authorised service agents or any other person authorised by Masport.

5. Express Warranty in addition to consumer protection laws

- 5.1 Despite anything else in this warranty card, nothing in this warranty card will exclude, limit or modify any Consumer Protection Warranty or any liability of Masport imposed by applicable law if to do so would be unlawful or make any part of this warranty card void or voidable.

- 5.2 The Express Warranty is in addition to any Consumer Protection Warranty that may apply, for example, under the New Zealand Consumer Act or the Australian Consumer Law, or under the laws of the place where the Product was purchased. To the extent permitted by applicable law, Masport's liability under any Consumer Protection Warranty will be limited (at Masport's sole option) to Masport repairing or replacing the relevant Product or paying for such repair or replacement.

6. No other warranties or liability

- 6.1 Subject to Clause 5, Masport excludes all express or implied warranties, guarantees, conditions or terms in relation to the Product. All statements, technical information and recommendations about the Product are believed to be reliable, but do not constitute a guarantee or warranty. No statements, representations or recommendations other than those contained in the official technical information published by Masport, will bind Masport, unless made in writing signed by an authorised representative of Masport.
- 6.2 Subject to Clause 5, in no event will Masport be liable (whether in contract, tort, negligence or in any other way) for:
- (a) loss of profits or savings, loss of goodwill or opportunity, loss of production or wasted time; or
 - (b) loss, damage, cost or expense of any kind whatsoever which is indirect, consequential, or of a special nature, arising directly or indirectly from the Product, even if Masport had been advised of the possibility of such damages.
- 6.3 Subject to Clause 5, in no event will Masport's total liability under any claim of whatever nature arising directly or indirectly from the Product exceed the price you paid for the Product.
- 6.4 This warranty card embodies the entire agreement between you and Masport in relation to the subject matter of this warranty card and supersedes all prior understandings, communications and representations between you and Masport, whether oral or written. No amendment to this warranty card will be effective unless in writing and signed by an authorised representative of Masport. You may not assign or transfer the Express Warranty without the prior written consent of Masport. This warranty card will be governed by the law of New Zealand and Australia, and will be subject to the non-exclusive jurisdiction of the New Zealand and Australian courts.

7. How to obtain service for a faulty Product

- 7.1 You must return the Product to the place of purchase or any Masport Specialist Retailer, along with reasonable evidence of the date the Product was purchased, for example, an original receipt.
- 7.2 Masport or its agent will assess the claim and if accepted, will repair or replace the Product in accordance with the normal practices of the relevant Masport service agent.
- 7.3 All claims under the Express Warranty must be made within the relevant warranty period.

8. Definitions

- In this warranty card:
- 8.1 **"Consumer Protection Warranty"** means any warranty, guarantee, term, condition, right or remedy implied or imposed by applicable law;
 - 8.2 **"Express Warranty"** means the warranty in Clause 3.1;
 - 8.3 **"Masport"** means Masport Limited, a New Zealand company located at 1-37 Mt Wellington Highway, Panmure 1060, Auckland, New Zealand with an Australian office located at 1/40 Abbotts Road, Dandenong South, Victoria 3175, Australia;
 - 8.4 **"Product"** means the Masport product accompanying this warranty card;
 - 8.5 **"You"** means the original purchaser of the Product.

**Thank you for purchasing your Masport product. We know that you'll enjoy it!
To register your product warranty, simply visit our website: www.masport.com.**

Failure to register your product warranty will not affect your rights under any Consumer Protection Warranty, however registration may help Masport deal with any warranty claim more efficiently.

Masport®



Masport Limited New Zealand

320 Ti Rakau Drive, East Tamaki
Auckland, 2013

PO Box 14-349, Panmure, Auckland

P: 0800 MASPORT

Fax: 0508 570 570

Email: sales@masport.co.nz

Web: www.masport.co.nz

Masport Australia Pty Limited

PO Box 533, Braeside

Victoria 3195, Australia

P: 1800 366 225

Fax: 1800 035 594

Email: sales@masport.com.au

Web: www.masport.com.au