



Aerocore Hedge Trimmer



Owner's Manual

Masport Aerocore Hedge Trimmer

Important

Please read these instructions carefully before assembly, to reduce risk of fire, burn hazard or other injury.

Keep these instructions in a safe place for future use.

This manual covers the Masport Aerocore Hedge Trimmer










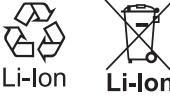








Do not operate this machine before it has been assembled correctly and you have read and understood these instructions.

Keep the instructions in a safe place for future use.

Contents

Symbols	2
General Power Tool Safety Warnings	3
Safety warning for Battery Pack	4
Safety Warning for Battery Charger	4
Additional Safety warnings for Cordless Hedge Trimmer	4
Product Specifications	6
Product Diagram	6
Assembly	6
Operation	6
Maintenance	8
Storage	8
Troubleshooting	8

	To reduce the risk of injury, user must read instruction manual.
	Wear ear protection.
	Wear eye protection.
	Wear dust mask.

	Keep hands away from blade.
	Do not expose to rain.
	RCM symbol
	Li-Ion battery. This product has been marked with a symbol relating to 'separate collection' for all battery packs and battery pack. It will then be recycled or dismantled in order to reduce the impact on the environment. Battery packs can be hazardous for the environment and for human health since they contain hazardous substances.
	Do not burn
	Batteries may enter water cycle if disposed improperly, which can be hazardous for ecosystem. Do not dispose of waste batteries as unsorted municipal waste.
	For indoor use only
	Read the operator's manual.
	Fuse
	Positive Terminal
	Negative Terminal
	Double Insulation

General Power Tool Safety Warnings

⚠ WARNING Read all safety warnings and all instructions. Failure to follow the warnings and instructions may result in electric shock, fire and/or serious injury. Save all warnings and instructions for future reference. The term “power tool” in the warnings refers to your mains-operated (corded) power tool or battery-operated (cordless) power tool.

1) Work area safety

- a) **Keep work area clean and well lit.** *Cluttered or dark areas invite accidents.*
- b) **Do not operate power tools in explosive atmospheres, such as in the presence of flammable liquids, gases or dust.** *Power tools create sparks which may ignite the dust or fumes.*
- c) **Keep children and bystanders away while operating a power tool.** *Distractions can cause you to lose control.*

2) Electrical safety

- a) **Power tool plugs must match the outlet. Never modify the plug in any way. Do not use any adapter plugs with earthed (grounded) power tools.** *Unmodified plugs and matching outlets will reduce risk of electric shock.*
- b) **Avoid body contact with earthed or grounded surfaces, such as pipes, radiators, ranges and refrigerators.** *There is an increased risk of electric shock if your body is earthed or grounded.*
- c) **Do not expose power tools to rain or wet conditions.** *Water entering a power tool will increase the risk of electric shock.*
- d) **Do not abuse the cord. Never use the cord for carrying, pulling or unplugging the power tool. Keep cord away from heat, oil, sharp edges or moving parts.** *Damaged or entangled cords increase the risk of electric shock.*
- e) **When operating a power tool outdoors, use an extension cord suitable for outdoor use.** *Use of a cord suitable for outdoor use reduces the risk of electric shock.*
- f) **If operating a power tool in a damp location is unavoidable, use a residual current device (RCD) protected supply.** *Use of an RCD reduces the risk of electric shock.*

3) Personal safety

- a) **Stay alert, watch what you are doing and use common sense when operating a power tool. Do not use a power tool while you are tired or under the influence of drugs, alcohol or medication.** *A moment of inattention while operating power tools may result in serious personal injury.*
- b) **Use personal protective equipment. Always wear eye protection.** *Protective equipment such as dust mask, non-skid safety shoes, hard hat, or hearing protection used for appropriate conditions will reduce personal injuries.*
- c) **Prevent unintentional starting. Ensure the switch is in the off-position before connecting to power source and/or battery pack, picking up or carrying the tool.** *Carrying power tools with your finger on the switch or energising power tools that have the switch on invites accidents.*
- d) **Remove any adjusting key or wrench before turning the power tool on.** *A wrench or a key left attached to a rotating part of the power tool may result in personal injury.*

- e) **Do not overreach. Keep proper footing and balance at all times.** *This enables better control of the power tool in unexpected situations.*
- f) **Dress properly. Do not wear loose clothing or jewellery. Keep your hair, clothing and gloves away from moving parts.** *Loose clothes, jewellery or long hair can be caught in moving parts.*
- g) **If devices are provided for the connection of dust extraction and collection facilities, ensure these are connected and properly used.** *Use of these devices can reduce dust-related hazards.*
- h) **Do not let familiarity gained from frequent use of tools allow you to become complacent and ignore tool safety principles.** *A careless action can cause severe injury within a fraction of a second.*

4) Power tool use and care

- a) **Do not force the power tool. Use the correct power tool for your application.** *The correct power tool will do the job better and safer at the rate for which it was designed.*
- b) **Do not use the power tool if the switch does not turn it on and off.** *Any power tool that cannot be controlled with the switch is dangerous and must be repaired.*
- c) **Disconnect the plug from the power source and/or the battery pack from the power tool before making any adjustments, changing accessories, or storing power tools.** *Such preventive safety measures reduce the risk of starting the power tool accidentally.*
- d) **Store idle power tools out of the reach of children and do not allow persons unfamiliar with the power tool or these instructions to operate the power tool.** *Power tools are dangerous in the hands of untrained users.*
- e) **Maintain power tools. Check for misalignment or binding of moving parts, breakage of parts and any other condition that may affect the power tool's operation. If damaged, have the power tool repaired before use.** *Many accidents are caused by poorly maintained power tools.*
- f) **Keep cutting tools sharp and clean.** *Properly maintained cutting tools with sharp cutting edges are less likely to bind and are easier to control.*
- g) **Use the power tool, accessories and tool bits etc. in accordance with these instructions, taking into account the working conditions and the work to be performed.** *Use of the power tool for operations different from those intended could result in a hazardous situation.*
- h) **Keep handles and grasping surfaces dry, clean and free from oil and grease.** *Slippery handles and grasping surfaces do not allow for safe handling and control of the tool in unexpected situations.*

5) Battery tool use and care

- a) **Recharge only with the charger specified by the manufacturer.** *A charger that is suitable for one type of battery pack may create a risk of fire when used with another battery pack.*
- b) **Use power tools only with specifically designated battery packs.** *Use of any other battery packs may create a risk of injury and fire.*
- c) **When battery pack is not in use, keep it away from other metal objects, like paper clips, coins, keys, nails, screws or other small metal objects, that can make a connection from one terminal to another.** *Shorting the battery terminals together may cause burns or a fire.*
- d) **Under abusive conditions, liquid may be ejected from the battery; avoid contact. If contact accidentally occurs,**

flush with water. If liquid contacts eyes, additionally seek medical help. Liquid ejected from the battery may cause irritation or burns.

e) Do not use a battery pack or tool that is damaged or modified. Damaged or modified batteries may exhibit unpredictable behaviour resulting in fire, explosion or risk of injury.

f) Do not expose a battery pack or tool to fire or excessive temperature. Exposure to fire or temperature above 130 °C may cause explosion.

g) Follow all charging instructions and do not charge the battery pack or tool outside the temperature range specified in the instructions. Charging improperly or at temperatures outside the specified range may damage the battery and increase the risk of fire.

6) Service

a) Have your power tool serviced by a qualified repair person using only identical replacement parts. This will ensure that the safety of the power tool is maintained.

b) Never service damaged battery packs. Service of battery packs should only be performed by the manufacturer or authorized service providers.

Safety warning for Battery Pack

a) Do not dismantle, open or shred cells or battery pack.

b) Do not short-circuit a battery pack. Do not store battery packs haphazardly in a box or drawer where they may short-circuit each other or be short-circuited by conductive materials. When battery pack is not in use, keep it away from other metal objects, like paper clips, coins, keys, nails, screws or other small metal objects, that can make a connection from one terminal to another. Shorting the battery terminals together may cause burns or a fire.

c) Do not expose battery pack to heat or fire. Avoid storage in direct sunlight.

d) Do not subject battery pack to mechanical shock.

e) In the event of battery leaking, do not allow the liquid to come into contact with the skin or eyes. If contact has been made, wash the affected area with copious amounts of water and seek medical advice.

f) Seek medical advice immediately if a cell or battery pack has been swallowed.

g) Keep battery pack clean and dry.

h) Wipe the battery pack terminals with a clean dry cloth if they become dirty.

i) Battery pack needs to be charged before use. Always refer to this instruction and use the correct charging procedure.

j) Do not maintain battery pack on charge when not in use.

k) After extended periods of storage, it may be necessary to charge and discharge the battery pack several times to obtain maximum performance.

l) Battery pack gives its best performance when it is operated at normal room temperature (20 °C ± 5 °C).

m) When disposing of battery packs, keep battery packs of different electrochemical systems separate from each other.

n) Recharge only with the charger specified by Masport. Do not use any charger other than that specifically provided for use with the equipment. A charger that is suitable for one type of battery pack may create a risk of fire

when used with another battery pack.

o) Do not use any battery pack which is not designed for use with the equipment.

p) Keep battery pack out of the reach of children.

q) Retain the original product literature for future reference.

r) Remove the battery from the equipment when not in use.

s) Dispose of properly.

t) Do not mix cells of different manufacture, capacity, size or type within a device.

u) Do not remove battery pack from its original packaging until required for use.

v) Observe the plus (+) and minus (-) marks on the battery and ensure correct use.

Safety warning for Battery Charger

1. Before charging, read the instructions.
2. For charge Li-ion battery pack only.
3. Do not charge a leaking battery.
4. Do not use chargers for works other than those for which they are designed.
5. Before charging, ensure your charger is matching the local AC supply.
6. The charging device must be protected from moisture.
7. Do not use the charging device outdoors.
8. Do not short out the contacts of battery or charger.
9. Respect the polarity "+/-" when charging.
10. Do not open the unit and keep it out of the reach of children.
11. Do not charge the batteries of other manufactures or ill-suited models.
12. Ensure that the connection between the battery charger and battery is correctly positioned and is not obstructed by foreign bodies.
13. Keep battery charger's slots free of foreign objects and protect against dirt and humidity. Store in a dry and frost-free place.
14. When charging batteries, ensure that the battery charger is in a well-ventilated area and away from inflammable materials. Batteries can get hot during charging. Do not overcharge any batteries. Ensure that batteries and chargers are not left unsupervised during charging.
15. Do not recharge non-rechargeable batteries, as they can overheat and break.
16. Longer life and better performance can be obtained if the battery pack is charged when the air temperature is between 18°C and 24°C. Do not charge the battery pack in air temperatures below 0°C, or above 40°C. This is important as it can prevent serious damage to the battery pack.
17. Charge only battery pack of the same model provided by Masport and of models recommended by Masport.

Additional safety warnings for cordless Hedge Trimmer

a) Keep all parts of the body away from the blade. Do not remove cut material or hold material to be cut when blades are moving. Blades continue to move after the switch is turned off. A moment of inattention while operating

the hedge trimmer may result in serious personal injury.

b) Carry the hedge trimmer by the handle with the blade stopped and taking care not to operate any power switch. Proper carrying of the hedge trimmer will decrease the risk of inadvertent starting and resultant personal injury from the blades.

c) When transporting or storing the hedge trimmer, always fit the blade cover. Proper handling of the hedge trimmer will decrease the risk of personal injury from the blades.

d) When clearing jammed material or servicing the unit, make sure all power switches are off and the battery back is removed or disconnected. Unexpected actuation of the hedge trimmer while clearing jammed material or servicing may result in serious personal injury.

e) Hold the hedge trimmer by insulated gripping surfaces only, because the blade may contact hidden wiring.

Blades contacting a "live" wire may make exposed metal parts of the hedge trimmer "live" and could give the operator an electric shock.

f) Keep all power cords and cables away from cutting area. Power cords or cables may be hidden in hedges or bushes and can be accidentally cut by the blade.

g) Do not use the hedge trimmer in bad weather conditions, especially when there is a risk of lightning.

This decreases the risk of being struck by lightning.


h) Check the hedges and bushes for foreign objects, e.g. wire fences and hidden wiring.

i) Hold the hedge trimmer properly, e.g. with both hands if two handles are provided.

j) The hedge trimmer is intended to be used by the operator at ground level and not on ladders or any other unstable support.

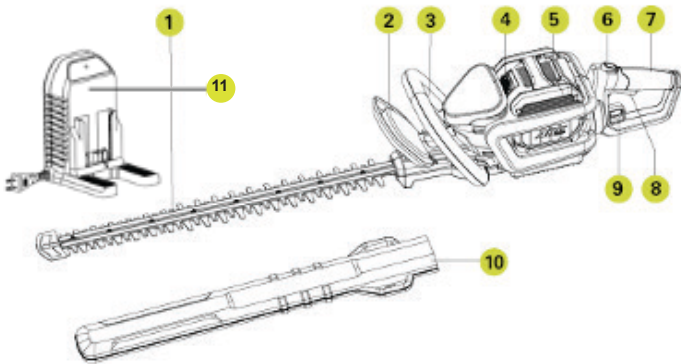
k) Before operating the hedge trimmer, the user should make sure the locking device(s) of any moving elements (e.g. the extended shaft and pivoting element), if any, are in the locked position.

Product Specifications

Product	Aerocore Hedge Trimmer CHT60H.9
Rated Voltage	60V MAX
No Load Speed	3800/min
Max. Cutting Diameter	30mm
Blade Length	610mm
Battery Capacity [553155 / ABP6025H]*	2.5 Ah
Battery Capacity [553156 / ABP6050H]*	5.0 Ah
Charger Input [553157 / ACG6025H]*	100-240V ~ 50/60Hz
Charger Output [553157 / ACG6025H]*	60V  2.5 A
Charger Protection Class	II / II
Machine Weight	4.85kg (Hedge Trimmer Only)

Product Diagram

1. Blade
2. Safety Guard
3. Front switch lever (All round switch function)
4. Battery Release Button
5. Battery Pack*
6. Lock-off Button
7. Rotating Rear Handle
8. On/Off Switch
9. Locking Switch for Rotating
10. Blade Sheath
11. Charger*



Operation

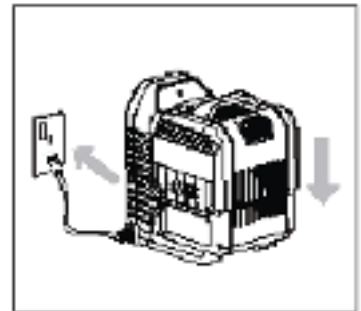
BEFORE PUTTING INTO OPERATION

1. CHARGING THE BATTERY (SEE FIG. B)

- a. The battery in your new tool is not charged when it leaves the plant; therefore, it must be full charged before using the first time.
- b. If the battery pack is very hot, remove the battery from the charger and allow it to cool to ambient temperature before attempting to recharge.
- c. To prevent damage to the battery pack, please charge the battery to full or no less than half charge before storage.
- d. If the tool will not be used for long periods of time, charge the battery pack every 3-6 months.

CHARGING PROCEDURE

- 1) Plug the charger into an appropriate outlet.
- 2) Slide the battery pack into the charger, and make sure the battery is in the correct charge position firmly. The light will begin flashing green to indicate the charging process has started.
- 3) When charging is completed, the light will turn solid green.
- 4) After the battery is fully charged, unplug the charger and remove the battery pack.











NOTE: If the battery pack is locked in the charger, press the battery pack release button and remove it.

Warning! The charger and battery pack are specially designed to work together so do not attempt to use any other devices. Never insert or allow metallic objects into your charger or battery pack connections because an electrical failure and hazard will occur.

WARNING: When battery charge runs out after continuous use or exposure to direct sunlight or heat, allow time for the tool to cool down before re-charging to achieve the full charge.

CHARGING INDICATOR

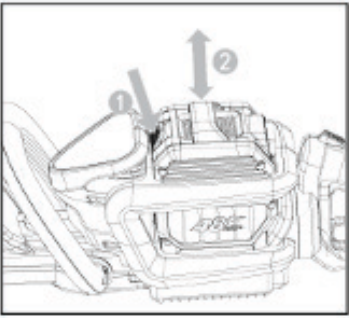
This charger is designed to detect some problems that can arise with battery packs. Indicator lights indicate problems (see table below).

Light	ON/Flash	Status
Red on 		Defective Battery
Red flash 		Battery Temperature Protection. The temperature of the battery pack is less than 0°C or more than 40°C.
Green on 		Fully Charged
Green flash 		Charging

2. Removing and installing the battery pack

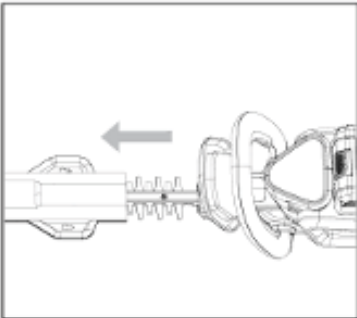
To install or remove the battery pack (SEE FIG. B) Slide the battery pack into tool's battery port. A simple push

and slight pressure will be sufficient. Press the battery pack release button and remove the battery pack from the tool.



B

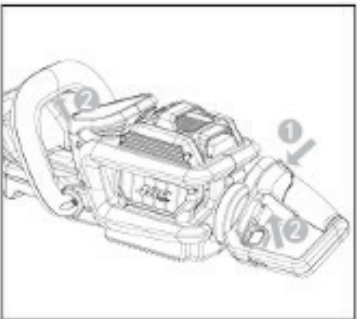
3. Remove blade sheath (SEE FIG. C)



C

4. To start hedge trimmer (SEE FIG. D)

Your hedge trimmer is equipped with a lock-off button to prevent accidental starts when not in use. To start the hedge trimmer press and hold the lock-off button, then press and hold the ON/OFF switch and front switch lever at the same time. After starting the hedge trimmer, the lock-off button can be released. The hedge trimmer will stay on as long as the ON/OFF switch and front switch lever remain engaged.



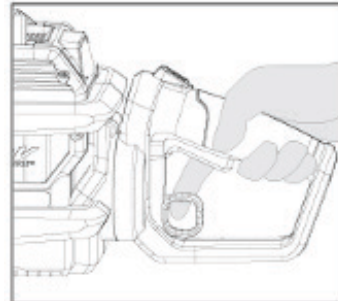
D

5. To stop hedge trimmer

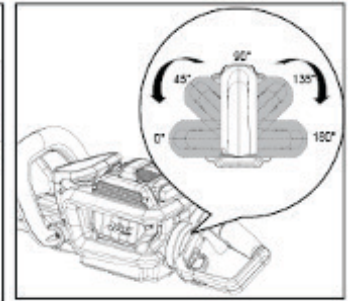
Move hedge trimmer away from cutting area before stopping. To stop, release either the safety handle switch or on/off switch, the trimmer will stop almost immediately.

6. To rotate the rear handle (SEE FIG. E1, E2)

Your trimmer is equipped with a rotating rear handle which can be turned to 5 angles (0°, 45°, 90°, 135°, 180°).
 1) Lift up the locking switch for rotating to unlock the handle.
 2) Turn the handle to an angle as required. After turned to the position as required, adjust the handle a little until a click can be heard. The handle is now locked



E1



E2

Warning:

- If any parts are missing, damaged or broken, do not operate your hedge trimmer until all damaged parts have been replaced or repaired. Failure to do so could result in serious personal injury.
- Do not use the product without the guard.
- Always make sure that the handle is locked in the desired position before operation.
- Do not rotate the handle when the trimmer is being operated.

7. How To Use Your Hedge Trimmer

Inspect the area to be cut before each use, remove objects which can be thrown or become entangled in the cutting blades.

Always hold the hedge trimmer with both hands and with the blade away from you before turning it on.

When trimming new growth, use a wide sweeping action so that the stems are fed directly into the blade.

Allow the cutting blades to reach full speed before entering the material to be cut.

Always work in the direction going away from people and solid objects such as walls, large stones, trees, vehicles etc. If the blade stalls, immediately stop the hedge trimmer.

Remove the battery pack and clear the jammed debris from the cutting blade.

Wear gloves when trimming thorny or prickly growth.

Move the hedge trimmer to feed the branches directly into the blade cutting edges.

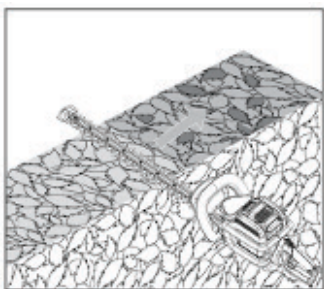
Do not try to cut stems that are too large to feed into the cutting blade.

Important Tips For Trimming Hedges:

- Assume secure posture and hold trimmer with both hands. If using a stepladder, ensure it is secured and if working at a high level, tie the ladder to the thicker, inner branches of the hedge.
- Ensure no people or animals are in or near the work area.

Top Cutting: (SEE FIG. F1)

Use a wide sweeping motion. A slight downward tilt of the cutting blades in the direction of motion gives the best cutting results.

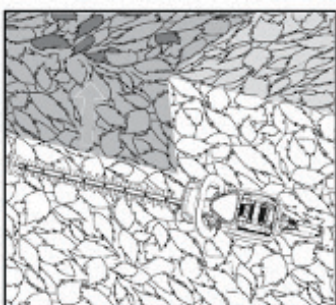


F1

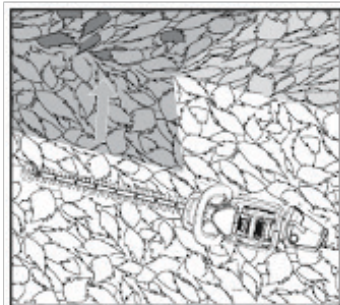
Side Cutting: (SEE FIG. F2, F3)

When trimming the sides of the hedge, begin at the bottom and cut upwards, tapering the hedge inward at the top. This shape will expose more of the hedge, resulting in a more uniformed growth.

You can rotate the rear handle to perform side cutting as shown in Fig.F3.



F2



F3

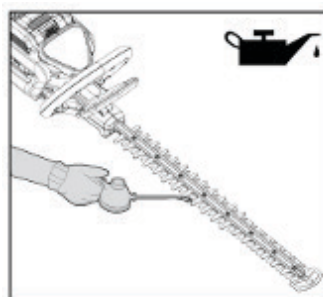
Maintenance

Cleaning & Storage

- Never use water to clean the unit.
- Always clean the hedge trimmer immediately after use. Brush the blade using a stiff nylon brush to remove any debris.
- Always store the hedge trimmer in a secure, dry place out of the reach of children.
- Do not place other objects on top of the machine.
- Inspect the hedge trimmer before each use.
- Have the unit professionally repaired if any damage occurs.
- The blade rail should be cleaned and treated with fine oil after each use.
- Use the blade sheath for transportation and storage.

Lubricating The Cutting Blade (SEE FIG. G)

For easier operation and longer life, lubricate the cutting blades before and after each use. Before lubricating, make sure the battery pack is removed from your hedge trimmer. Apply the oil so that it runs between the two blades. Common light duty/machine oil can be used. Your trimmer should be stopped, disconnected and oiled occasionally during use.



G

For Battery tools

The ambient temperature range for the use and storage of tool and battery is 0 – 45°C (32 – 113°F).

The recommended ambient temperature range for the charging system during charging is 0 – 40°C (32 – 104°F). It is recommended that the battery be stored indoors for the winter months.

Storage

Store in a dry place where the hedge trimmer and battery can be protected from damage.

Warning: Always remove the battery pack from the tool before cleaning or repairing.

Troubleshooting

Symptom	Possible Causes	Solution
Hedge trimmer will not operate	Battery discharged. Battery too hot/cold. Motor is broken. Internal wiring of machine damaged.	Recharge battery. Allow to cool/warm. Contact a Masport service dealer.
Hedge Trimmer runs intermittently.	Motor is broken. Battery not full charged. On/Off switch defective	Contact Masport service dealer. Recharge battery Contact customer service.
Excessive vibrations/noise.	Machine defective.	Contact Masport service dealer.
Hedge trimmer is not cutting properly.	Blade is blunt or damaged.	Contact Masport service dealer.
Continuous lighting of the battery charge indicator/battery not charging.	Battery not (properly) inserted. Battery contacts contaminated.	Properly insert battery into battery charger. Clean the battery contacts or replace the battery.
Battery charge indicator does not light up.	Plug of battery charger not plugged in (properly). Outlet or mains cable defective. Battery charger defective.	Insert mains plug (fully) into the socket outlet. Check the mains voltage. Replace the battery charger.

Masport Ltd

320 Ti Rakau Drive, East Tamaki, Auckland 2013
New Zealand
P.O.Box 14 349, Panmure, Auckland 1741