

Masport®

OUTDOOR BBQ

AMBASSADOR KITCHEN

| | | |
|--------------------|----------------------|--------|
| <u>Part Number</u> | 553126 | |
| Comprises of: | Ambassador Grill | 553111 |
| | Cooler Module (Twin) | 552868 |
| | Sink Module | 552752 |

Market Introduced: October 2019



Issue A.2
ECN 12891
Jan 2024 TV
REF # 753126



OUTDOOR BBQ

AMBASSADOR GRILL

Part Number

553111

BBQ Dimensions:

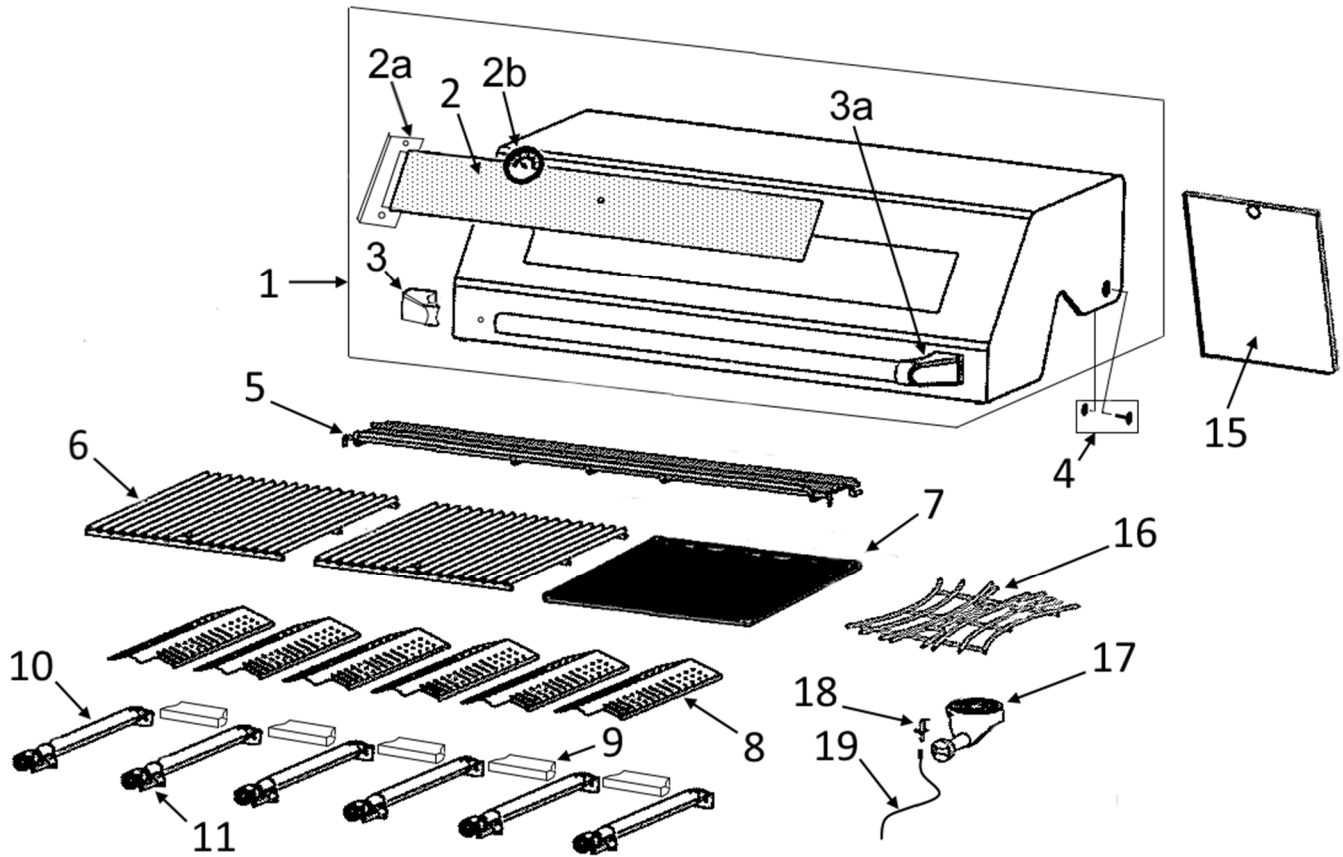
Width 2148mm

Depth 600 mm

Height 1240mm

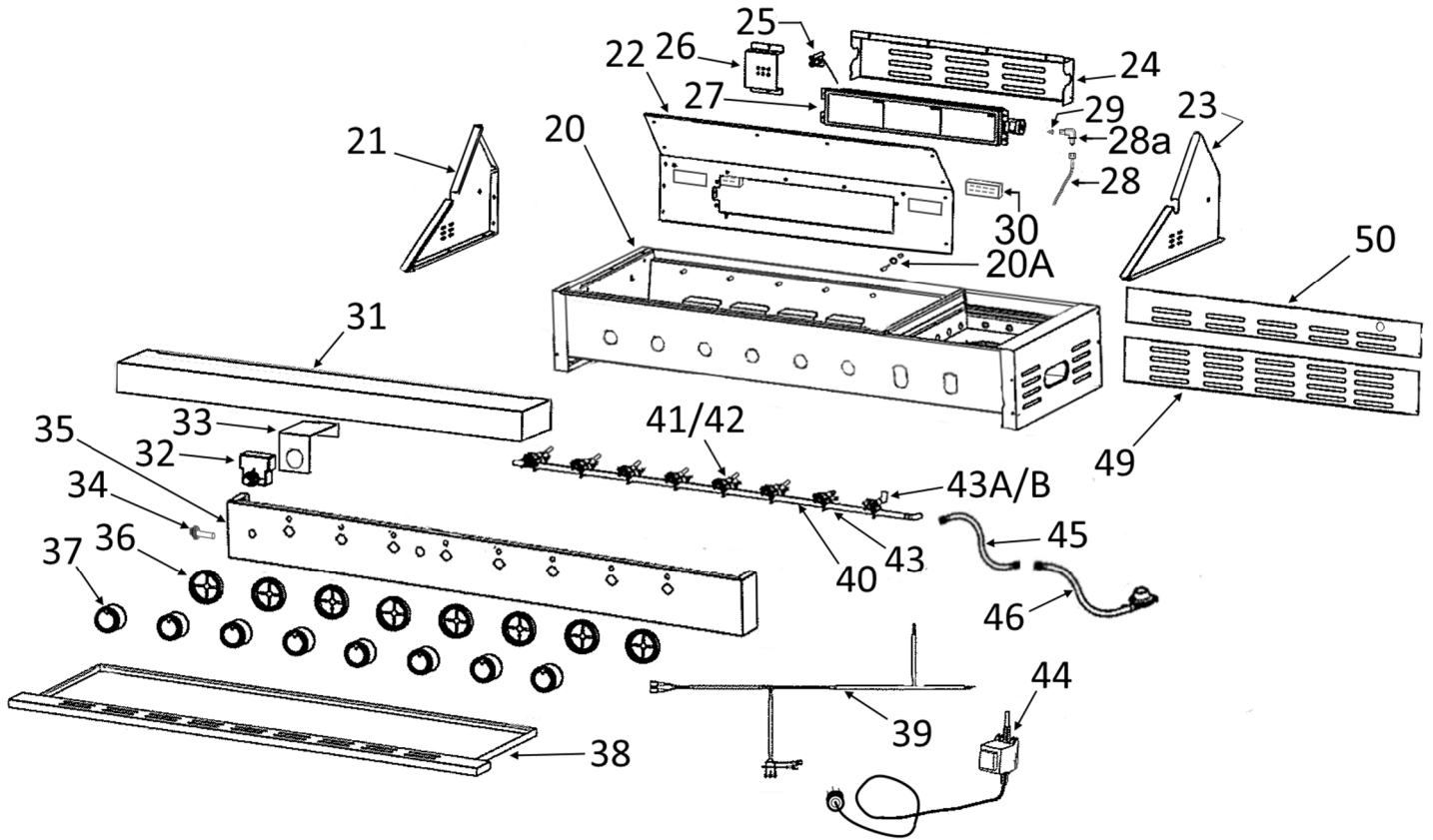
Month and Year of Manufacture: September 2019





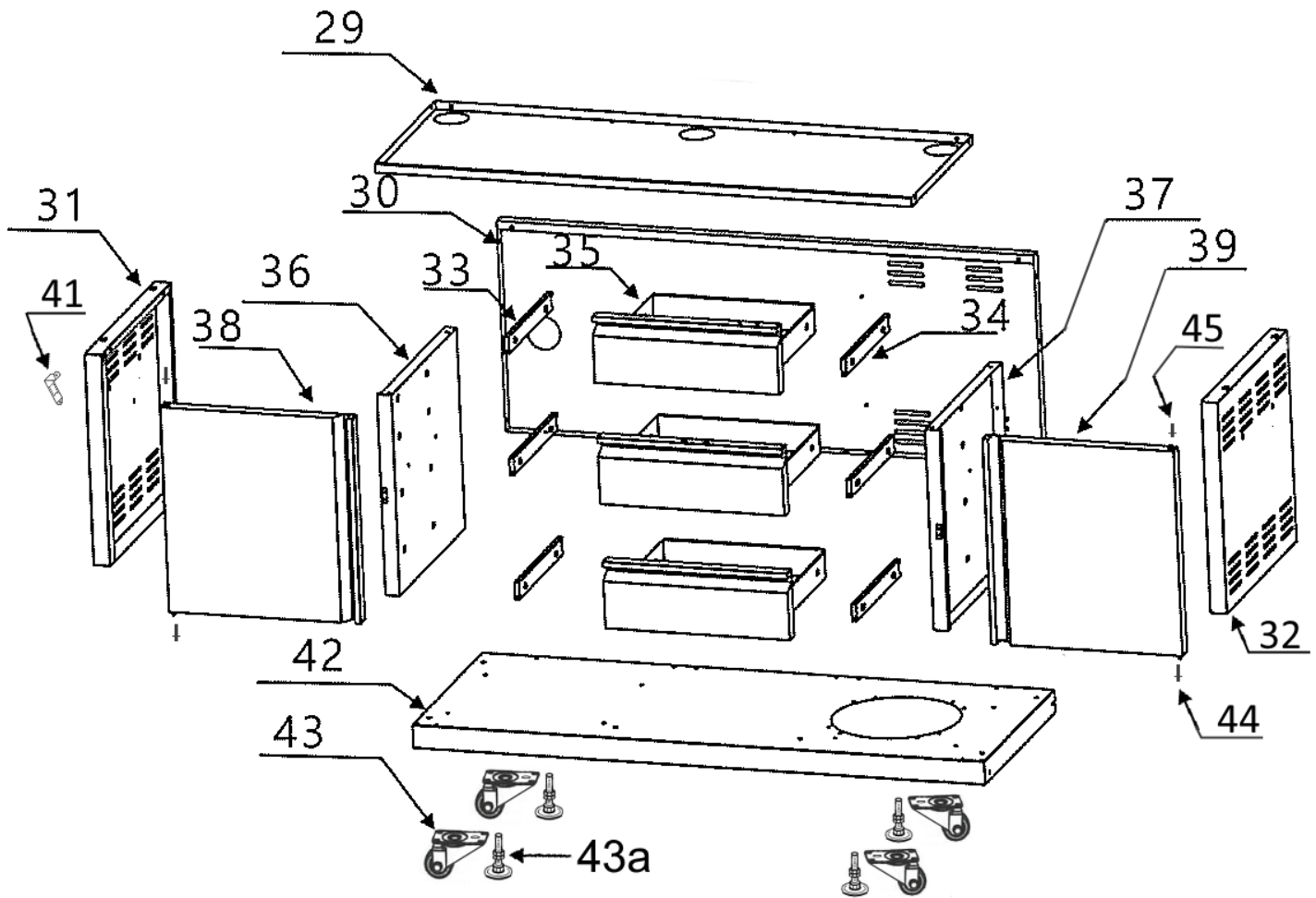
| Item | Part # | Description | Qty | Not Illustrated |
|------|---------------|--|----------------|---|
| 1 | 548295 | Hood Assembly, Window | S/S | 1 |
| 2 | 548294 | *Glass- Window, Hood | 1 | 549588 Cover- BBQ, Kitchen BBQ 1 |
| 2a | 549773 | *Bracket- Window, Hood | 2 | 548966 Owner Manual 1 |
| 2b | 547644 | *Gauge- Temp, Dia 68mm Red/Blk | 1 | 548201 Rubber Stopper 2 |
| 3 | 546544 | *End-L, Handle | 1 | 548767 Table- Side, RH/LH Folding 2 |
| 3a | 546900 | *End-R, Handle | 1 | 548886 *Handle- Table, Side Folding 1 |
| 4 | 548221 | Hood- Bolt & Nut | 2 | 548312 Rotisserie Set, 6B 1105mm 1 |
| 5 | 548293 | Warming Rack, 985mm x 160mm | 1 | (Refer to page 5) |
| 6 | 548219 | Grill- 300 x 455 | S/S | 2 |
| 7 | 548218 | Plate- P/E 350 x 455 | Matt | 1 |
| 8 | 548192 | Flame- Tamer, 110 x 415 Slot | S/S | 6 |
| 9 | 548213 | Cross- Light | S/S | 5 |
| 10 | 548208 | Burner- Tube, 435mm x 1.0mm 304SS | 6 | |
| 11 | 548228 | Electrode, Ignition M/B | Inbuilt | 6 |
| 15 | 548297 | Lid- S/Burner | S/S | 1 |
| 16 | 548298 | Trivet- Side Burner | 1 | |
| 17 | 548301 | Burner- Side | 1 | |
| 18 | 548224 | Electrode- Side Burner | 1 | |
| 19 | 548299 | Wire- Ignition, Side Burner 985mm | 1 | |

When ordering spares: PLEASE QUOTE PART NUMBER & Description, NOT illustrated number. Item Qty = 1 per part unless stated differently.
BOLD TEXT = Assemblies. Text starting with * = items included in the assemblies & may not be available as a spares item.
 Determine the left hand or right hand sides by standing in the operating position (standing at the handle).



| Item | Part # | Description | Qty | Item | Part # | Description | Qty |
|------|---------------|-----------------------------------|-----|--|-------------------------------------|----------------------------------|--------|
| 20 | 548296 | Grill- Body, RB+6B SS INB | 1 | 39 | 548341 | Harness- LED Lights, Knobs 8B | 1 |
| 20A | 546387 | Pin, Nut & Washer- Flame Tamer | 6 | 40 | 548300 | Manifold Assy (ELE R/B) | 6+RB 1 |
| 21 | 548209 | Panel- Side, LH S/S Hood-G/Body | 1 | 41 | 548196 | *Valve- Main, LPG 0.98mm ELE IGN | 6 |
| 22 | 548230 | Panel- Rear, R/Burner S/S G/Body | 1 | 42 | 548225 | *Jet, Main 0.98mm dia LPG | 6 |
| 23 | 548210 | Panel- Side, RH S/S Hood-G/Body | 1 | 43 | 548202 | *Valve- Rear, LPG 0.98mm ELE IGN | 1 |
| 24 | 548212 | Panel- Rear Cover, R/B S/S | 1 | 43A | 548337 | *Valve- Side, LPG 0.98 ELE IGN | 1 |
| 25 | 548234 | Ignitor- Rear Burner with wire | 1 | 43B | 548310 | *Jet, Side 1.5mm dia LPG | 6 |
| 26 | 548233 | Panel- Ignitor Cover R/Burner S/S | 1 | 44 | 549593 | Transformer AC, LED Lights | 1 |
| 27 | 548197 | Burner- Rear | 1 | 45 | 548195 | Pipe- Flexible, Manifold | 1 |
| 28 | 548198 | Pipe- Flexible, Rear Burner | 1 | 46 | 546605 | Hose & Reg, QCC (N-Z) | 1 |
| 28a | 546453 | Elbow 90deg Ambassador | 1 | Note , BBQ was supplied with the above Hose & Regulator In AUS use a 559968 for a replacement Hose & Regulator | | | |
| 29 | 548194 | Jet, Rear 0.98mm dia LPG | 1 | 46 | 559968 | Hose & Reg, POL (AUS) | 1 |
| 30 | 549589 | Light- Hood, Halogen | 2 | 49 | 548231 | Panel- Rear, Vented Lower S/S | 1 |
| | 549828 | *Bulb- Hood, Halogen | 1 | 50 | 548236 | Panel- Rear, Vented Top S/S | 1 |
| 31 | 548226 | Panel- Front, Grill | 1 | Not Illustrated | | | |
| 32 | 548302 | Module- Ignition, 8 Pin | 1 | 548199 | Wire- Ignition, RB 1800mm | 1 | |
| 33 | 548338 | Heatshield- Module | 1 | 548308 | Wire- Ignition, MB (Set of 6 wires) | 1 | |
| 34 | 548339 | Switch- LED, Knobs | 1 | | | | |
| 35 | 548964 | Dashboard- BBQ 552750 | 1 | | | | |
| 36 | 548191 | Bezel/LED Control Knobs | 8 | | | | |
| 37 | 548190 | Knob- BBQ 8.1dia S/Grip Chrome | 8 | | | | |
| 38 | 548307 | Tray- Drip, 146x345 S/S Inbuilt | 1 | | | | |

When ordering spares: PLEASE QUOTE PART NUMBER & Description, NOT illustrated number. Item Qty = 1 per part unless stated differently.
BOLD TEXT = Assemblies. Text starting with * = items included in the assemblies & may not be available as a spares item.
 Determine the left hand or right hand sides by standing in the operating position (standing at the handle).

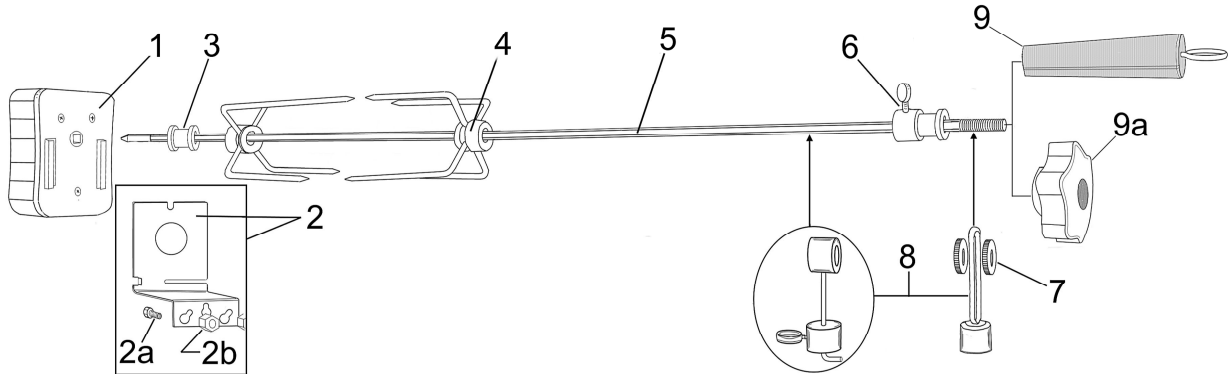


| Item Part # | Description | Qty | Item Part # | Description | Qty |
|------------------|-------------------------|--------------|-------------------|-----------------------------|--------------|
| 29 548737 | Shelf- Cabinet | SS Kitchen 1 | 42 548734 | Panel- Bottom, Trolley | SS Kitchen 1 |
| 30 548735 | Panel- Rear, Trolley | SS Kitchen 1 | 43 548741 | Castor- Locking, Height Adj | 4 |
| 31 548732 | Panel- Side, LH Trolley | SS Kitchen 1 | 43a 546307 | Foot- Adjustable | 4 |
| 32 548733 | Panel- Side, RH Trolley | SS Kitchen 1 | 44 548766 | Hinge- Door, Bottom | 2 |
| 33 549591 | Slider- Drawer, LH | SS Kitchen 3 | 45 548765 | Hinge- Door, Top | 2 |
| 34 549592 | Slider- Drawer, RH | SS Kitchen 3 | | | |
| 35 548736 | Drawer- Cabinet | SS Kitchen 3 | | | |
| 36 548739 | Panel- Side, LH Drawer | SS Kitchen 1 | | | |
| 37 548740 | Panel- Side, RH Drawer | SS Kitchen 1 | | | |
| 38 548731 | Door Assy, LH | ZP/SS 1 | | | |
| 39 548730 | Door Assy, RH | ZP/SS 1 | | | |
| 41 548768 | Bottle Opener | 1 | | | |

When ordering spares: PLEASE QUOTE PART NUMBER & Description, NOT illustrated number. Item Qty = 1 per part unless stated differently.
BOLD TEXT = Assemblies. Text starting with * = items included in the assemblies & may not be available as a spares item.
 Determine the left hand or right hand sides by standing in the operating position (standing at the handle).



548312 Rotisserie Set - 6B 1105mm (Showing the different combination of parts)



| Item | Part # | Description | Qty | Item | Part # | Description | Qty |
|------|---------------|-------------------------------------|-----|------|---------------|------------------------------|-----|
| 1 | 559239 | Motor- Rotisserie, Black DC | 1 | 4 | 547003 | Prong, (each) | 2 |
| (1 | 559978 | Motor-Rotisserie, Black DC H/Shield | 1) | 5 | 548442 | Rod- Only, Rotisserie 1105mm | 1 |
| (1 | 559977 | Motor-Rotisserie, SS AC | 1) | 6 | 547005 | Collar- Alignment + Screw | 1 |
| 2 | 548238 | Bracket- Rotisserie | 1 | 7 | 547007 | Washer, Weight | 2 |
| 2a | 559730 | *Screw, Pan M6 x 12 Poz | 2 | 8 | 547006 | Weight- Balance | 1 |
| 2b | 503613 | *Nut, M6 Hex Stainless | 2 | 9 | 547008 | Handle- Rotisserie Rod | 1 |
| 3 | 547002 | Collar- Alignment | 1 | 9a | 546603 | Handle- Rotisserie Knob | 1 |

DATA PLATE

548965.C.1

| Name | Model | AGA Approval | Injector (mm) | Pressure (kPa) | Inp/Burn (Mj/h) | Total (Mj/h) |
|--|-------|--------------------------------------|----------------|--|--|--------------|
| AMBASSADOR | 611U | AGA 8138 G | ULPG: BBQ 0.98 | 2.75 | 6 x 13.00 | 102.50 |
| | | | S/B 0.98 | | | |
| | | | R/B 0.98 | | 1 x 12.00 | |
| | | | NG: BBQ 1.50 | 1.00 | 6 x 11.00 | 91.00 |
| | | | S/B 1.65 | | | |
| | | | R/B 1.65 | | 1 x 12.00 | |
| | | | | | 1 x 13.00 | |
| Gas Supply Pressure, ULPG Min: 2.70kPa; Max: 3.45kPa | | Gas Supply Pressure, NG: 1.13KPa | | MANUFACTURED BY: GUANGDONG SUNCOOK | | |
| Gas Type: NZ: Universal LPG or NG AUS: ULPG or NG | | Complies to: AS/NZS 5263.1.7-2016 | | | | |
| Minimum Clearance : From Top of BBQ: 1500mm, From Sides: 1000mm, From Rear : 1000mm | | | | | | |
| Distributed by MASPORT LIMITED | | | | | USE OUTDOOR ONLY WARNING: Parts of this appliance may be very hot, keep young children away | |
| MASPORT LIMITED 320 Ti Rakau Drive, East Tamaki, Auckland 2013, New Zealand PO Box 14349, Panmure Auckland 1471, New Zealand MASPORT AUSTRALIA PTY LIMITED 27 Commercial Drive, Dandenong South Melbourne, Victoria 3175, Australia PO Box 533, Braeside, Victoria 3195, Australia | | | | | | |
| For storage and cylinder exchange, disconnect hose at the cylinder only, do not disconnect hose from the appliance. | | | | | | |

Natural Gas option - not included with this BBQ, order part number:

547548 KIT- NG, AMB ELE/IGN 1

When ordering spares: PLEASE QUOTE PART NUMBER & Description, NOT illustrated number. Item Qty = 1 per part unless stated differently.
BOLD TEXT = Assemblies. Text starting with * = items included in the assemblies & may not be available as a spares item.
 Determine the left hand or right hand sides by standing in the operating position (standing at the handle).

548965.C.1

Masport[®]

OUTDOOR BBQ

Cooler - SS

Part Number

552868

Month and Year of Manufacture: Aug 2017

Dimensions:

Width 960mm

Depth 580mm

Height 900mm



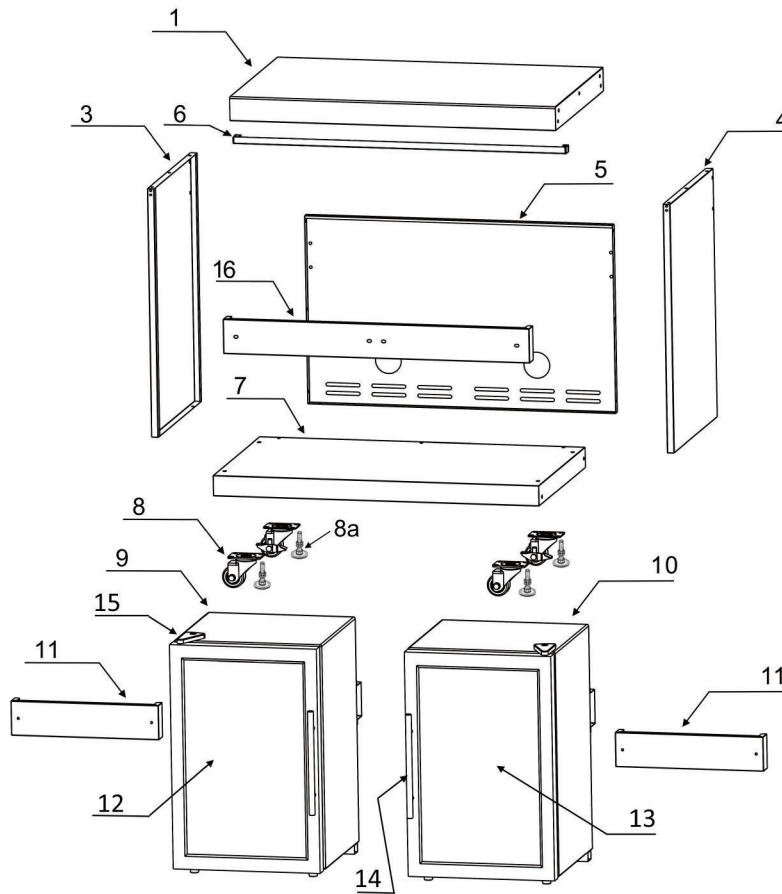
Issue B.2
Mar 2021 PB
ECN # 12825
IPL Ref # 752868


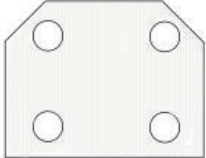



552868
BBQ- Cooler SS

Masport®

Issue B.2
Mar 2021 PB
ECN # 12825
IPL Ref # 752868



| Item | Part No | Description | Qty | Not Illustrated | |
|------|---------|------------------------------|-------|-------------------------|---|
| 1 | 548753 | Panel- Top | 1 | 549833 | Frame- Base 1 |
| 3 | 546833 | Panel- Side, LH | S/S 1 | 546402 | Key 1 |
| 4 | 546834 | Panel- Side, RH | S/S 1 | |  |
| 5 | 548758 | Panel- Rear | S/S 1 | | |
| 6 | 549581 | Panel- Top Small Fascia | 1 | | |
| 7 | 549587 | Panel- Base, | S/S 1 | | |
| 8 | 548741 | Castors- Locking, Height Adj | 4 | | |
| 8a | 546307 | *Foot- Adjustable | 1 | | |
| 9 | 548742 | Fridge- Electric, 240V LH | 1 | 549166 | Bracket- Connecting, Upper 1 |
| 10 | 548752 | Fridge- Electric, 240V RH | 1 | | |
| 11 | 549582 | Panel- Rear Holder | 2 | |  |
| 12 | 549156 | Door- Assy, Glass LH | 1 | | |
| 13 | 549157 | Door- Assy, Glass RH | 1 | | |
| 14 | 549158 | Handle-Door | 2 | | |
| 15 | 549163 | Cover- Hinge | 2 | 546536 | Bracket- Connecting, Lower 1 |
| 16 | ----- | Panel- Rear, Inside Mount | 1 | |  |
| | | | | Accessory Option | |
| | | | | 548767 | Table- Side, LH or RH S/S Folding 1 |

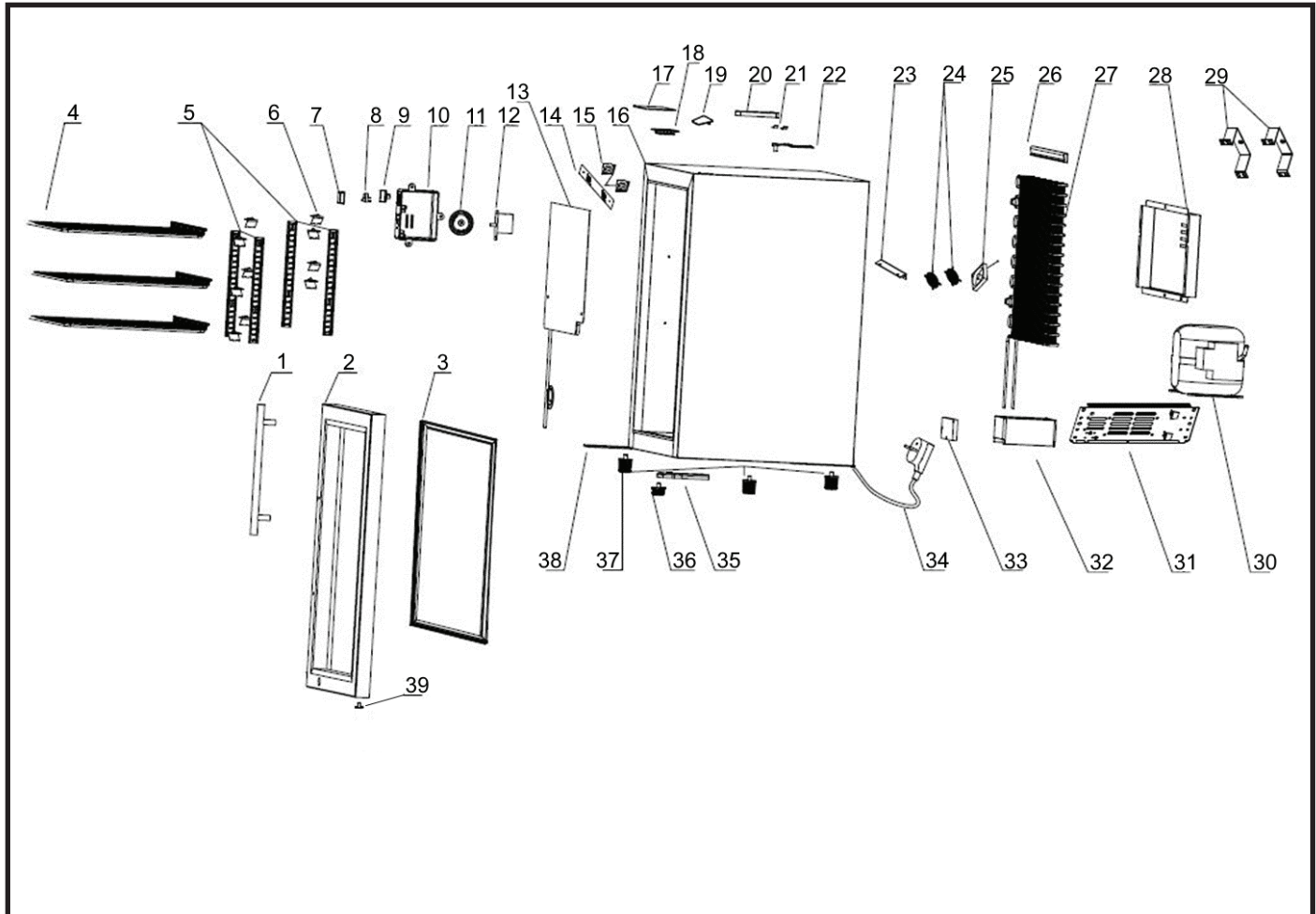
When ordering spares: PLEASE QUOTE PART NUMBER & DESCRIPTION, NOT illustrated number. Item Qty = 1 per part unless stated differently.
BOLD TEXT = Assemblies. Descriptions starting with * = items included in the assemblies & may not be available as a spares item. Determine the left or right hand sides by standing in the operating position (standing at the handle). Page 2



552868
BBQ- Cooler SS

Masport®

Issue B.2
Mar 2021 PB
ECN # 12825
IPL Ref # 752868



| Item | Part No | Description | Qty | Item | Part No | Description | Qty |
|------|------------|------------------------|-----|------|-----------|--------------------------|-----|
| 1 | | Refer page 2 | - | 26 | | | - |
| 2 | | Refer page 2 | - | 27 | Z.63.0401 | Condensor- Fridge | 2 |
| 3 | 549159 | Seal- Door | 2 | 28 | W.63.3912 | Cover Compressor- Fridge | 2 |
| 4 | 549160 | Rack- Wire | 6 | 29 | | | - |
| 5 | W.63.51 | Carriage- Fridge | 8 | 30 | D.Y.1060 | Compressor- Fridge | 2 |
| 6 | 549164 | Bracket- Rack | 24 | 31 | | | - |
| 7 | | | - | 32 | | | - |
| 8 | D.63.271 | Switch Cooler | 2 | 33 | D.63.17 | Circuit Board | - |
| 9 | S.63.5601 | Knob Cooler | 2 | 34 | | | - |
| 10 | S.63.18 | Electrical Box- Fridge | 2 | 35 | 549161 | Hinge- Lower | 2 |
| 11 | S.63.12 | Sensor Cap | 2 | 36 | T.07 | Foot Front- Fridge | 2 |
| 12 | D.63.26 | Thermostat | 2 | 37 | T.081 | Foot High- Fridge | 6 |
| 13 | Z.63.02201 | Evaporator- Fridge | 2 | 38 | W.66.16 | Bracket Lock- Fridge | 2 |
| 14 | | | - | 39 | | | - |
| 15 | D.63.105 | Blower Fan- Fridge | 2 | | | | |
| 16 | | | - | | | | |
| 17 | S.28.17 | Light Cover | 2 | | | | |
| 18 | 546346 | Led Light- Fridge | 2 | | | | |
| 19 | | | - | | | | |
| 20 | | Refer page 2 | - | | | | |
| 21 | W.63.50 | Recalls Stop Fridge | 4 | | | | |
| 22 | 549162 | Hinge- Upper, LH | 2 | | | | |
| 22 | 549167 | Hinge- Upper, RH | 2 | | | | |
| 23 | | | - | | | | |
| 24 | W.38.121 | Cover Fan- Fridge | 4 | | | | |
| 25 | D.38.101 | Fan- Fridge | 2 | | | | |

When ordering spares: PLEASE QUOTE PART NUMBER & DESCRIPTION, NOT illustrated number. Item Qty = 1 per part unless stated differently.
BOLD TEXT = Assemblies. Descriptions starting with * = items included in the assemblies & may not be available as a spares item.
 Determine the left or right hand sides by standing in the operating position (standing at the handle).



AMBASSADOR OUTDOOR BBQ MODULES

SINK - S/S

Part Number

552752

Dimensions

Width 830 mm

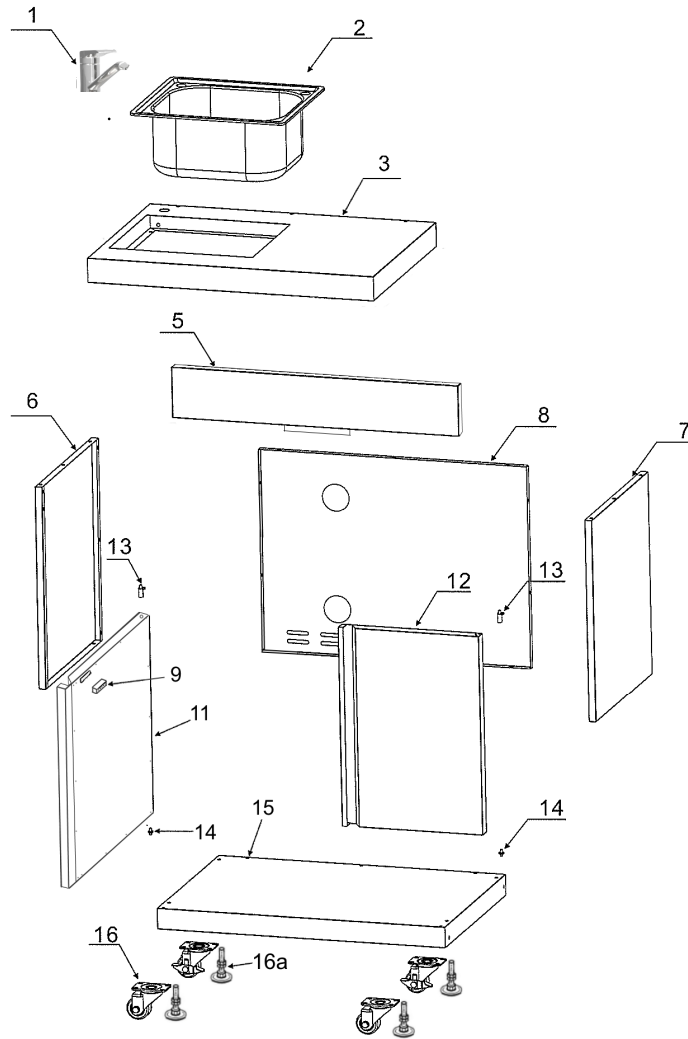
Depth 580 mm

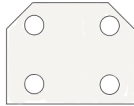
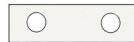
Height 900 mm

Month and Year of Manufacture: August 2017



Issue B.1
ECN 12756
Jan 2024 TV
REF # 752752



| Item | Part # | Description | Qty | Not Illustrated |
|-------------------------|--------|------------------------------------|-----|---|
| 1 | 546672 | Faucet- Wells | 1 | 548744 Plug- Sink 1 |
| 2 | 548743 | Sink- Assembly | 1 | 548745 Filter- Drain 1 |
| 3 | 548746 | Panel- Top | 1 | 549166 Bracket- Connecting, Upper 1 |
| 5 | 548749 | Panel- Facia | 1 | |
| 6 | 548755 | Panel- Side, LH 304SS | 1 |  |
| 7 | 548756 | Panel- Side, RH 304SS | 1 | 546536 Bracket- Connecting, Lower 1 |
| 8 | 548750 | Panel- Rear | 1 |  |
| 9 | 549584 | Magnet- Door | 2 | 549834 Frame - Base 1 |
| 11 | 548748 | Door Assy, LH ZP/SS | 1 | |
| 12 | 548747 | Door Assy, RH ZP/SS | 1 | |
| 13 | 548765 | Hinge- Door, Top | 1 | |
| 14 | 548766 | Hinge- Door, Bottom | 1 | |
| 15 | 548757 | Panel- Base, Storage/Sink | 1 | |
| 16 | 548741 | Castor- Locking, Height Adj | 4 | |
| 16a | 546307 | *Foot- Adjustable | 1 | |
| ACCESSORY OPTION | | | | |
| | 548767 | Table- Side, LH or RH S/S Folding | 1 | |

When ordering spares: PLEASE QUOTE PART NUMBER & Description, NOT illustrated number. Item Qty = 1 per part unless stated differently.
BOLD TEXT = Assemblies. Text starting with * = items included in the assemblies & may not be available as a spares item.
 Determine the left hand or right hand sides by standing in the operating position (standing at the handle).