



## OUTDOOR BBQ

### AMBASSADOR GRILL

Part Number

**553111**

BBQ Dimensions:

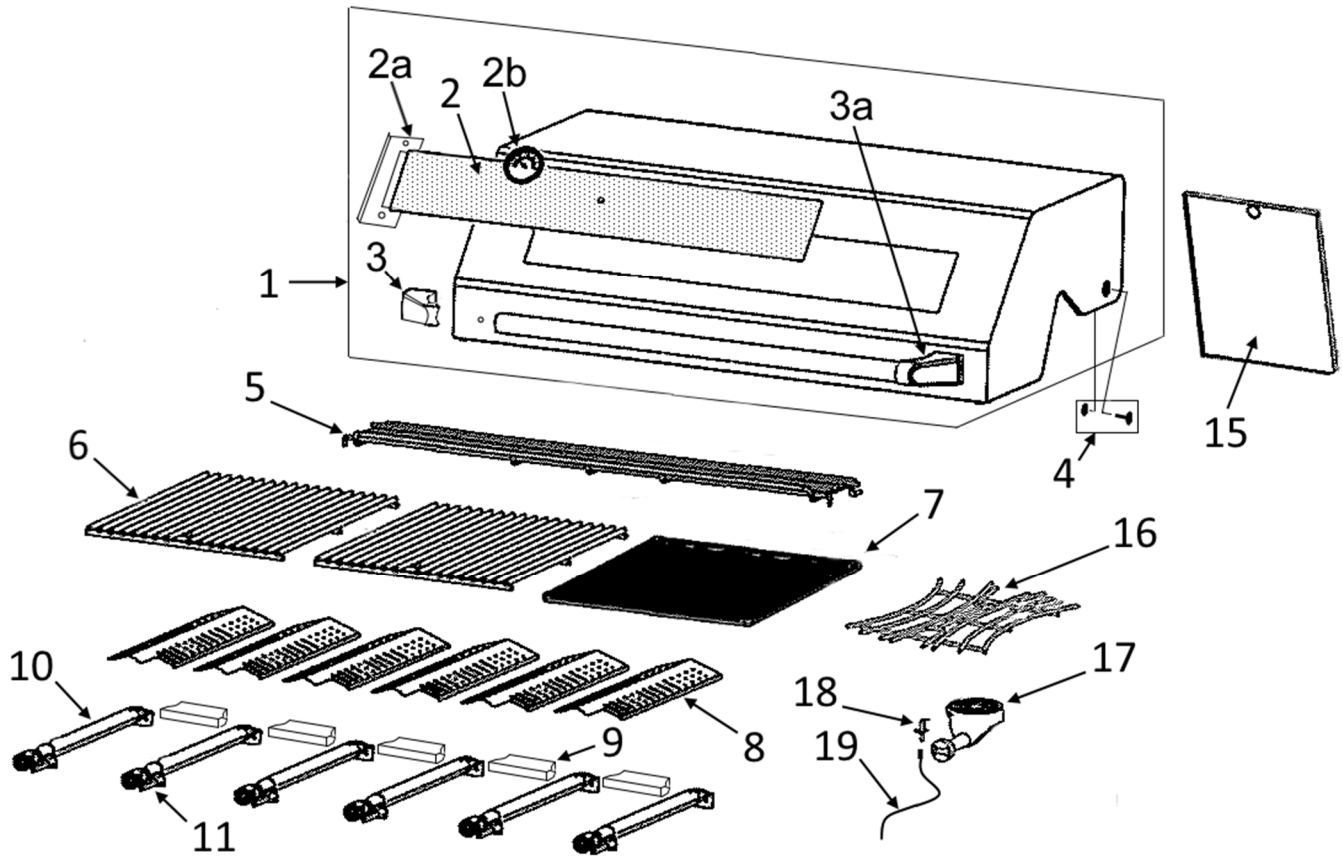
Width 2148mm

Depth 600 mm

Height 1240mm

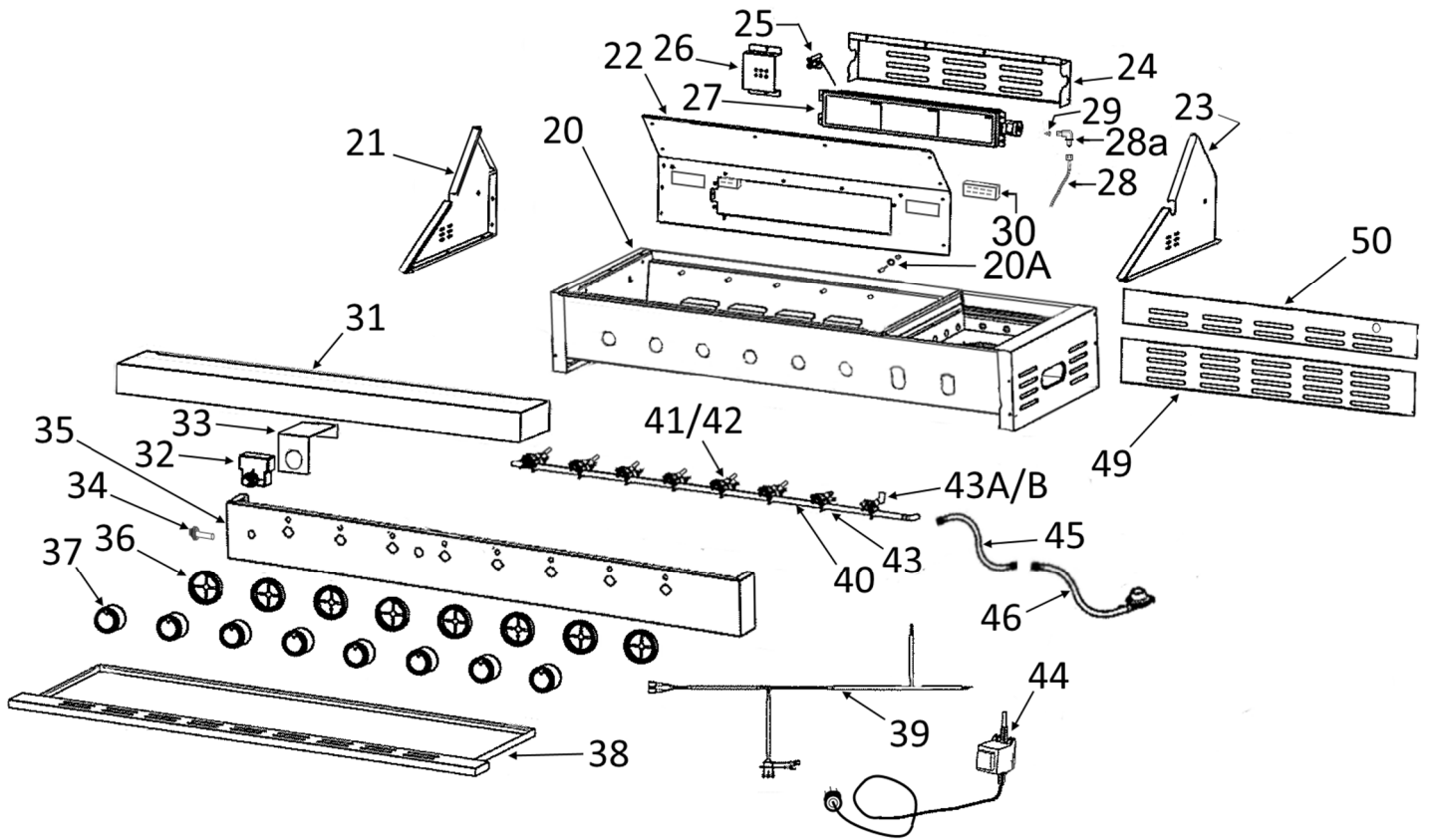
Month and Year of Manufacture: September 2019





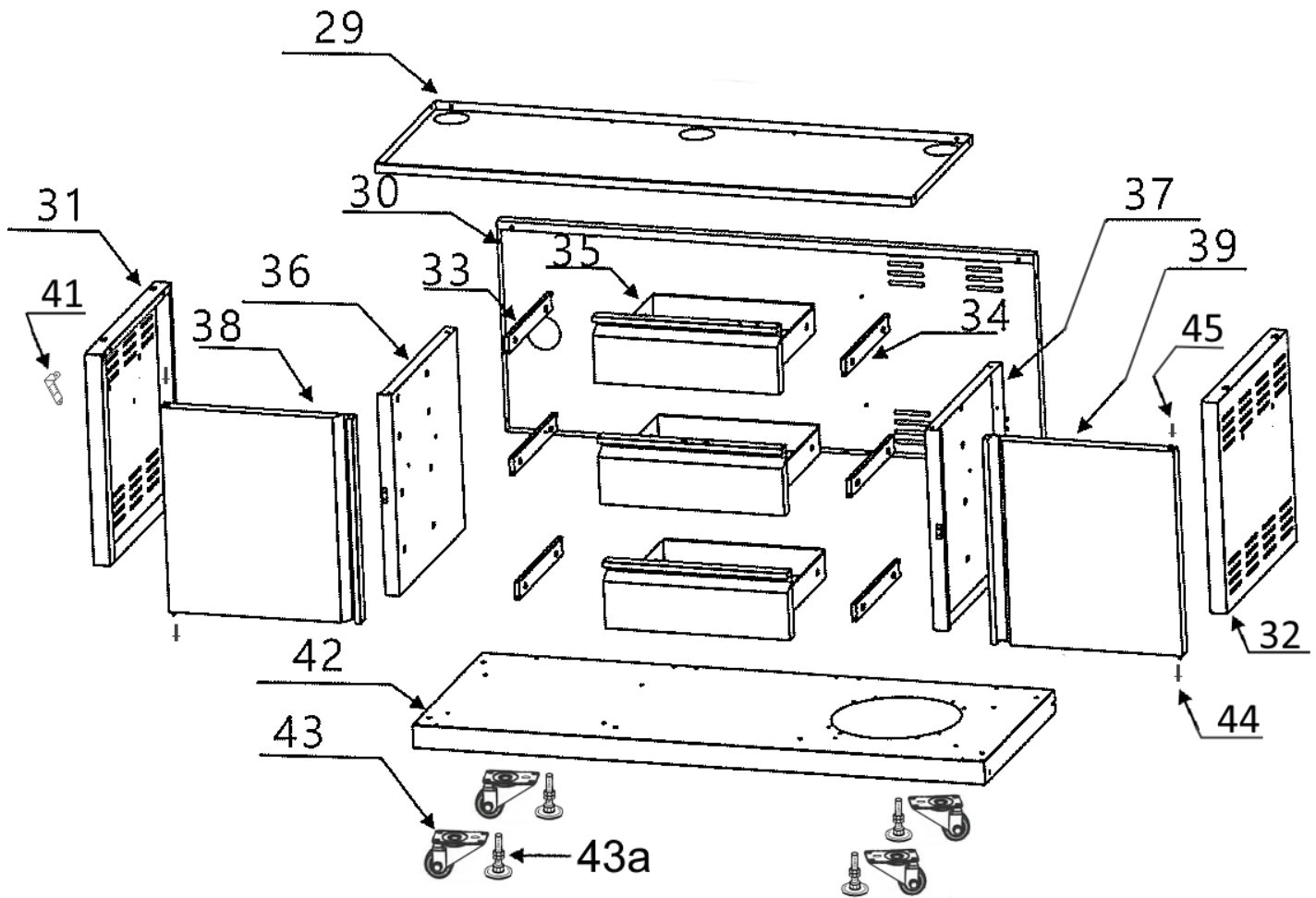
Item	Part #	Description	Qty	Not Illustrated
1	<b>548295</b>	<b>Hood Assembly, Window</b>	<b>S/S</b>	<b>1</b>
2	<b>548294</b>	<b>*Glass- Window, Hood</b>	<b>1</b>	<b>549588</b> Cover- BBQ, Kitchen BBQ <b>1</b>
2a	<b>549773</b>	<b>*Bracket- Window, Hood</b>	<b>2</b>	<b>548966</b> Owner Manual <b>1</b>
2b	<b>547644</b>	<b>*Gauge- Temp, Dia 68mm Red/Blk</b>	<b>1</b>	<b>548201</b> Rubber Stopper <b>2</b>
3	<b>546544</b>	<b>*End-L, Handle</b>	<b>1</b>	<b>548767</b> Table- Side, RH/LH Folding <b>2</b>
3a	<b>546900</b>	<b>*End-R, Handle</b>	<b>1</b>	<b>548886</b> *Handle- Table, Side Folding <b>1</b>
4	<b>548221</b>	<b>Hood- Bolt &amp; Nut</b>	<b>2</b>	<b>548312</b> Rotisserie Set, 6B 1105mm <b>1</b>
5	<b>548293</b>	<b>Warming Rack, 985mm x 160mm</b>	<b>1</b>	(Refer to page 5)
6	<b>548219</b>	<b>Grill- 300 x 455</b>	<b>S/S</b>	
7	<b>548218</b>	<b>Plate- P/E 350 x 455</b>	<b>Matt</b>	
8	<b>548192</b>	<b>Flame- Tamer, 110 x 415 Slot</b>	<b>S/S</b>	
9	<b>548213</b>	<b>Cross- Light</b>	<b>S/S</b>	
10	<b>548208</b>	<b>Burner- Tube, 435mm x 1.0mm 304SS</b>	<b>6</b>	
11	<b>548228</b>	<b>Electrode, Ignition M/B</b>	<b>Inbuilt</b>	
15	<b>548297</b>	<b>Lid- S/Burner</b>	<b>S/S</b>	
16	<b>548298</b>	<b>Trivet- Side Burner</b>	<b>1</b>	
17	<b>548301</b>	<b>Burner- Side</b>	<b>1</b>	
18	<b>548224</b>	<b>Electrode- Side Burner</b>	<b>1</b>	
19	<b>548299</b>	<b>Wire- Ignition, Side Burner 985mm</b>	<b>1</b>	

When ordering spares: PLEASE QUOTE PART NUMBER & Description, NOT illustrated number. Item Qty = 1 per part unless stated differently.  
**BOLD TEXT** = Assemblies. Text starting with \* = items included in the assemblies & may not be available as a spares item.  
 Determine the left hand or right hand sides by standing in the operating position (standing at the handle).



Item	Part #	Description	Qty	Item	Part #	Description	Qty
20	<b>548296</b>	Grill- Body, RB+6B SS INB	1	39	<b>548341</b>	Harness- LED Lights, Knobs 8B	1
20A	<b>546387</b>	Pin, Nut & Washer- Flame Tamer	6	40	<b>548300</b>	Manifold Assy (ELE R/B)	6+RB 1
21	<b>548209</b>	Panel- Side, LH S/S Hood-G/Body	1	41	<b>548196</b>	*Valve- Main, LPG 0.98mm ELE IGN	6
22	<b>548230</b>	Panel- Rear, R/Burner S/S G/Body	1	42	<b>548225</b>	*Jet, Main 0.98mm dia LPG	6
23	<b>548210</b>	Panel- Side, RH S/S Hood-G/Body	1	43	<b>548202</b>	*Valve- Rear, LPG 0.98mm ELE IGN	1
24	<b>548212</b>	Panel- Rear Cover, R/B S/S	1	43A	<b>548337</b>	*Valve- Side, LPG 0.98 ELE IGN	1
25	<b>548234</b>	Ignitor- Rear Burner with wire	1	43B	<b>548310</b>	*Jet, Side 1.5mm dia LPG	6
26	<b>548233</b>	Panel- Ignitor Cover R/Burner S/S	1	44	<b>549593</b>	Transformer AC, LED Lights	1
27	<b>548197</b>	Burner- Rear	1	45	<b>548195</b>	Pipe- Flexible, Manifold	1
28	<b>548198</b>	Pipe- Flexible, Rear Burner	1	46	<b>546605</b>	Hose & Reg, QCC (N-Z)	1
28a	<b>546453</b>	Elbow 90deg Ambassador	1	<b>Note</b> , BBQ was supplied with the above Hose & Regulator In AUS use a 559968 for a replacement Hose & Regulator			
29	<b>548194</b>	Jet, Rear 0.98mm dia LPG	1	46	<b>559968</b>	Hose & Reg, POL (AUS)	1
30	<b>549589</b>	<b>Light- Hood, Halogen</b>	2	49	<b>548231</b>	Panel- Rear, Vented Lower S/S	1
	<b>549828</b>	*Bulb- Hood, Halogen	1	50	<b>548236</b>	Panel- Rear, Vented Top S/S	1
31	<b>548226</b>	Panel- Front, Grill	1	<b>Not Illustrated</b>			
32	<b>548302</b>	Module- Ignition, 8 Pin	1	548199	Wire- Ignition, RB 1800mm	1	
33	<b>548338</b>	Heatshield- Module	1	548308	Wire- Ignition, MB (Set of 6 wires)	1	
34	<b>548339</b>	Switch- LED, Knobs	1				
35	<b>548964</b>	Dashboard- BBQ 552750	1				
36	<b>548191</b>	Bezel/LED Control Knobs	8				
37	<b>548190</b>	Knob- BBQ 8.1dia S/Grip Chrome	8				
38	<b>548307</b>	Tray- Drip, 146x345 S/S Inbuilt	1				

When ordering spares: PLEASE QUOTE PART NUMBER & Description, NOT illustrated number. Item Qty = 1 per part unless stated differently.  
**BOLD TEXT** = Assemblies. Text starting with \* = items included in the assemblies & may not be available as a spares item.  
 Determine the left hand or right hand sides by standing in the operating position (standing at the handle).

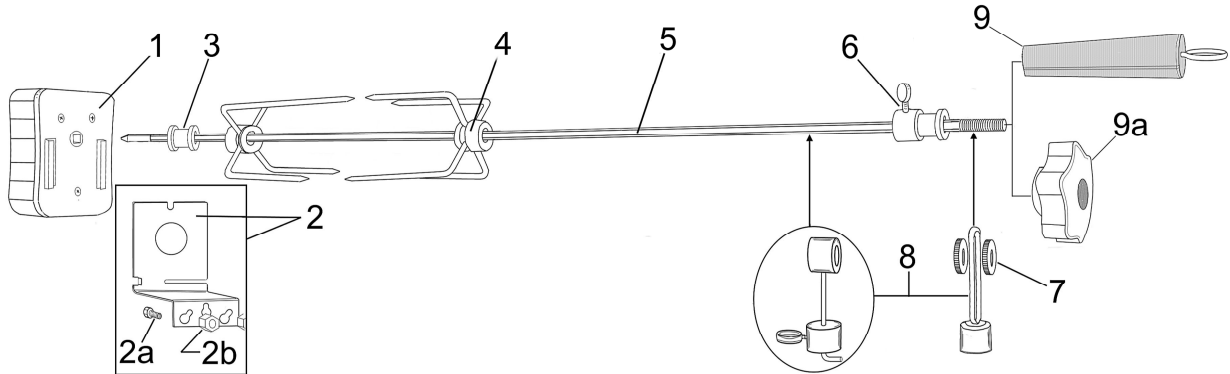


Item	Part #	Description	Qty	Item	Part #	Description	Qty
<b>29</b>	<b>548737</b>	Shelf- Cabinet	SS Kitchen 1	<b>42</b>	<b>548734</b>	Panel- Bottom, Trolley	SS Kitchen 1
<b>30</b>	<b>548735</b>	Panel- Rear, Trolley	SS Kitchen 1	<b>43</b>	<b>548741</b>	Castor- Locking, Height Adj	4
<b>31</b>	<b>548732</b>	Panel- Side, LH Trolley	SS Kitchen 1	<b>43a</b>	<b>546307</b>	Foot- Adjustable	4
<b>32</b>	<b>548733</b>	Panel- Side, RH Trolley	SS Kitchen 1	<b>44</b>	<b>548766</b>	Hinge- Door, Bottom	2
<b>33</b>	<b>549591</b>	Slider- Drawer, LH	SS Kitchen 3	<b>45</b>	<b>548765</b>	Hinge- Door, Top	2
<b>34</b>	<b>549592</b>	Slider- Drawer, RH	SS Kitchen 3				
<b>35</b>	<b>548736</b>	Drawer- Cabinet	SS Kitchen 3				
<b>36</b>	<b>548739</b>	Panel- Side, LH Drawer	SS Kitchen 1				
<b>37</b>	<b>548740</b>	Panel- Side, RH Drawer	SS Kitchen 1				
<b>38</b>	<b>548731</b>	Door Assy, LH	ZP/SS 1				
<b>39</b>	<b>548730</b>	Door Assy, RH	ZP/SS 1				
<b>41</b>	<b>548768</b>	Bottle Opener	1				

When ordering spares: PLEASE QUOTE PART NUMBER & Description, NOT illustrated number. Item Qty = 1 per part unless stated differently.  
**BOLD TEXT** = Assemblies. Text starting with \* = items included in the assemblies & may not be available as a spares item.  
 Determine the left hand or right hand sides by standing in the operating position (standing at the handle).



### 548312 Rotisserie Set - 6B 1105mm (Showing the different combination of parts)



Item	Part #	Description	Qty	Item	Part #	Description	Qty
1	<b>559239</b>	Motor- Rotisserie, Black DC	1	4	<b>547003</b>	Prong, (each)	2
(1	<b>559978</b>	Motor-Rotisserie, Black DC H/Shield	1)	5	<b>548442</b>	Rod- Only, Rotisserie 1105mm	1
(1	<b>559977</b>	Motor-Rotisserie, SS AC	1)	6	<b>547005</b>	Collar- Alignment + Screw	1
2	<b>548238</b>	<b>Bracket- Rotisserie</b>	1	7	<b>547007</b>	Washer, Weight	2
2a	<b>559730</b>	*Screw, Pan M6 x 12 Poz	2	8	<b>547006</b>	Weight- Balance	1
2b	<b>503613</b>	*Nut, M6 Hex Stainless	2	9	<b>547008</b>	Handle- Rotisserie Rod	1
3	<b>547002</b>	Collar- Alignment	1	9a	<b>546603</b>	Handle- Rotisserie Knob	1

#### DATA PLATE

548965.C.1

Name	Model	AGA Approval	Injector (mm)	Pressure (kPa)	Inp/Burn (Mj/h)	Total (Mj/h)
AMBASSADOR	611U	AGA 8138 G	ULPG: BBQ 0.98	2.75	6 x 13.00	102.50
			S/B 0.98			
			NG: BBQ 1.50	1.00	6 x 11.00	91.00
			S/B 1.65			
			R/B 0.98		1 x 12.00	
			R/B 1.65		1 x 12.50	
Gas Supply Pressure, ULPG Min: 2.70kPa; Max: 3.45kPa		Gas Supply Pressure, NG: 1.13KPa		<b>MANUFACTURED BY:</b> GUANGDONG SUNCOOK		
Gas Type: NZ: Universal LPG or NG AUS: ULPG or NG		Complies to: AS/NZS 5263.1.7-2016				
Minimum Clearance : From Top of BBQ: 1500mm, From Sides: 1000mm, From Rear : 1000mm						
Distributed by <b>MASPORT LIMITED</b>					 <b>USE OUTDOOR ONLY</b> <b>WARNING:</b> Parts of this appliance may be very hot, keep young children away	
MASPORT LIMITED 320 Ti Rakau Drive, East Tamaki, Auckland 2013, New Zealand PO Box 14349, Panmure Auckland 1471, New Zealand  MASPORT AUSTRALIA PTY LIMITED 27 Commercial Drive, Dandenong South Melbourne, Victoria 3175, Australia PO Box 533, Braeside, Victoria 3195, Australia						
For storage and cylinder exchange, disconnect hose at the cylinder only, do not disconnect hose from the appliance.						

Natural Gas option - not included with this BBQ, order part number:

547548      KIT- NG, AMB ELE/IGN      1

When ordering spares: PLEASE QUOTE PART NUMBER & Description, NOT illustrated number. Item Qty = 1 per part unless stated differently.  
**BOLD TEXT** = Assemblies. Text starting with \* = items included in the assemblies & may not be available as a spares item.  
 Determine the left hand or right hand sides by standing in the operating position (standing at the handle).

548965.C.1