

Masport®

OUTDOOR BBQ

TASMAN SINK P/C

Part Number

553582

Sink Dimensions:

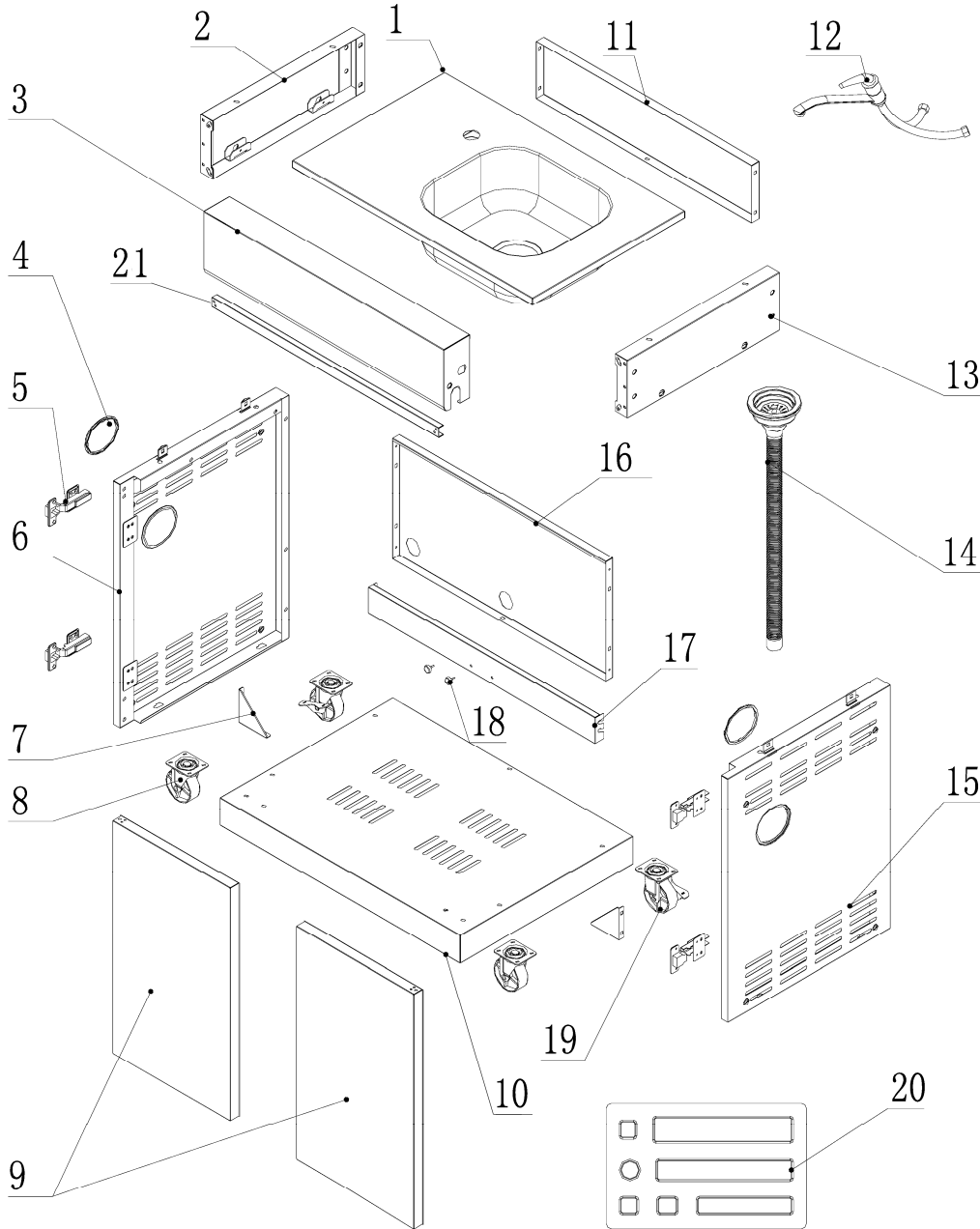
Width 690mm

Depth 515 mm

Height 885mm

Month and Year of Manufacture: Sept 2019





Item	Part #	Description	Qty	Item	Part #	Description	Qty
1	9154676	Panel- Top, (Includes Sink)	1	14	9153329	Drain- Sink	1
2	9154677	Panel- Side Fascia, Left	1	15	9154683	Panel- Side, RH Trolley	Black 1
3	9154678	Panel- Fascia	Black 1	16	9154667	Panel- Rear, Trolley	Black 1
4	9153087	Ring- Plastic	2	17	9154665	Panel- Top, Front Trolley	Black 1
5	9153104	Hinge- Door	4	18	9153090	Rubber Stopper, 15dia x 3mm (19)	2
6	9154679	Panel- Side, LH Trolley	Black 1	19	9153121	Castor- Locking	2
7	9154674	Bracket- Triangular, Door	Black 2	20	9154684	Bolt- Pack	1
8	9153121	Castor, Locking	2	21	9154691	Panel- Front, Top (Small)	1
9	9154670	Door, RH/LH Black/Alcoat 4	2	Not Illustrated			
10	9154680	Panel- Bottom	1	546410 O/Manual- Tasman, Sink/Storage 1			
11	9154681	Panel- Rear	1				
12	9153070	Tap Assembly	1				
13	9154682	Panel- Side Fascia, Right	1				

When ordering spares: PLEASE QUOTE PART NUMBER & Description, NOT illustrated number. Item Qty = 1 per part unless stated differently.
BOLD TEXT = Assemblies. Text starting with * = items included in the assemblies & may not be available as a spares item.
 Determine the left hand or right hand sides by standing in the operating position (standing at the handle).