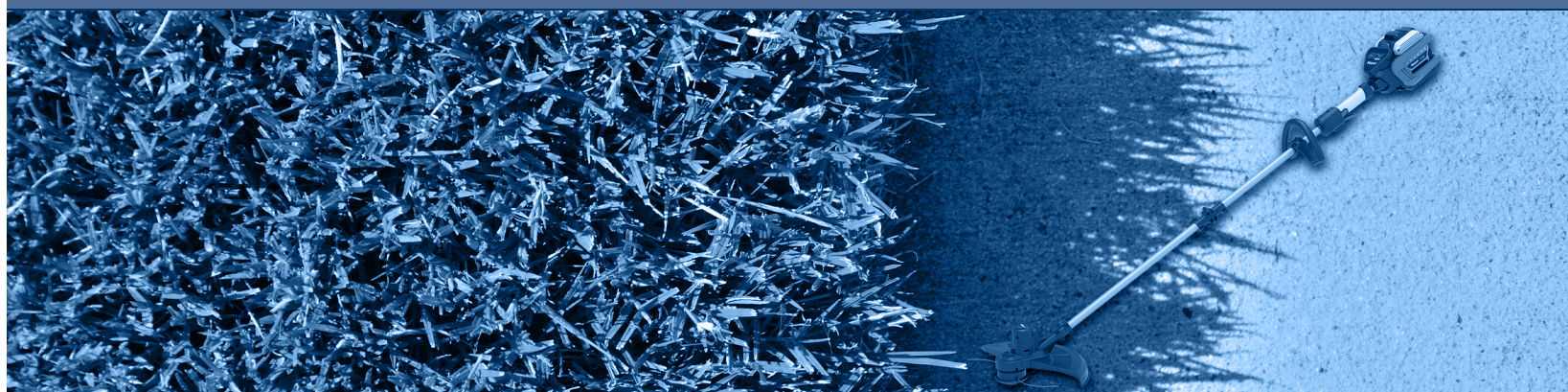




Aerocore Line Trimmer



Owner's Manual

Masport Aerocore Line Trimmer

Important

**Please read these instructions carefully before assembly, to reduce risk of fire, burn hazard or other injury.
Keep these instructions in a safe place for future use.**

This manual covers the Masport Aerocore Line Trimmer



Do not operate this machine before it has been assembled correctly and you have read and understood these instructions.

Keep the instructions in a safe place for future use.

Contents

Symbols	2
General Power Tool Safety Warnings	3
Safety warning for Battery Pack	4
Safety Warning for Battery Charger	4
Additional Safety warnings for Line Trimmer	4
Product Specifications	6
Product Diagram	6
Assembly	6
Operation	7
Maintenance	8
Storage	9
Troubleshooting	9

	<p>Carefully read owner's manual before handling the machine. Observe instructions and safety rules when operating.</p>
	<p>Wear eye protection.</p>
	<p>Danger – objects may be thrown out at high speed when motor is running. Keep people, pets and domestic animals out of the danger.</p>

	<p>Do not expose to rain.</p>
	<p>Recycling symbol.</p>
	<p>RCM symbol</p>
	<p>Li-Ion battery. This product has been marked with a symbol relating to 'separate collection' for all battery packs and battery pack. It will then be recycled or dismantled in order to reduce the impact on the environment. Battery packs can be hazardous for the environment and for human health since they contain hazardous substances.</p>
	<p>Do not burn</p>
	<p>Batteries may enter water cycle if disposed improperly, which can be hazardous for ecosystem. Do not dispose of waste batteries as unsorted municipal waste.</p>
	<p>For indoor use only</p>
	<p>Read the operator's manual.</p>
	<p>Fuse</p>
	<p>Positive Terminal</p>
	<p>Negative Terminal</p>
	<p>Double Insulation</p>

General Power Tool Safety Warnings



WARNING Read all safety warnings and all instructions. Failure to follow the warnings and instructions may result in electric shock, fire and/or serious injury. Save all warnings and instructions for future reference. The term “power tool” in the warnings refers to your mains-operated (corded) power tool or battery-operated (cordless) power tool.

1) Work area safety

- a) **Keep work area clean and well lit.** *Cluttered or dark areas invite accidents.*
- b) **Do not operate power tools in explosive atmospheres, such as in the presence of flammable liquids, gases or dust.** *Power tools create sparks which may ignite the dust or fumes.*
- c) **Keep children and bystanders away while operating a power tool.** *Distractions can cause you to lose control.*

2) Electrical safety

- a) **Power tool plugs must match the outlet. Never modify the plug in any way. Do not use any adapter plugs with earthed (grounded) power tools.** *Unmodified plugs and matching outlets will reduce risk of electric shock.*
- b) **Avoid body contact with earthed or grounded surfaces, such as pipes, radiators, ranges and refrigerators.** *There is an increased risk of electric shock if your body is earthed or grounded.*
- c) **Do not expose power tools to rain or wet conditions.** *Water entering a power tool will increase the risk of electric shock.*
- d) **Do not abuse the cord. Never use the cord for carrying, pulling or unplugging the power tool. Keep cord away from heat, oil, sharp edges or moving parts.** *Damaged or entangled cords increase the risk of electric shock.*
- e) **When operating a power tool outdoors, use an extension cord suitable for outdoor use.** *Use of a cord suitable for outdoor use reduces the risk of electric shock.*
- f) **If operating a power tool in a damp location is unavoidable, use a residual current device (RCD) protected supply.** *Use of an RCD reduces the risk of electric shock.*

3) Personal safety

- a) **Stay alert, watch what you are doing and use common sense when operating a power tool. Do not use a power tool while you are tired or under the influence of drugs, alcohol or medication.** *A moment of inattention while operating power tools may result in serious personal injury.*
- b) **Use personal protective equipment. Always wear eye protection.** *Protective equipment such as dust mask, non-skid safety shoes, hard hat, or hearing protection used for appropriate conditions will reduce personal injuries.*
- c) **Prevent unintentional starting. Ensure the switch is in the off-position before connecting to power source and/or battery pack, picking up or carrying the tool.** *Carrying power tools with your finger on the switch or energising power tools that have the switch on invites accidents.*
- d) **Remove any adjusting key or wrench before turning the power tool on.** *A wrench or a key left attached to a rotating part of the power tool may result in personal injury.*

- e) **Do not overreach. Keep proper footing and balance at all times.** *This enables better control of the power tool in unexpected situations.*
- f) **Dress properly. Do not wear loose clothing or jewellery. Keep your hair, clothing and gloves away from moving parts.** *Loose clothes, jewellery or long hair can be caught in moving parts.*
- g) **If devices are provided for the connection of dust extraction and collection facilities, ensure these are connected and properly used.** *Use of these devices can reduce dust-related hazards.*
- h) **Do not let familiarity gained from frequent use of tools allow you to become complacent and ignore tool safety principles.** *A careless action can cause severe injury within a fraction of a second.*

4) Power tool use and care

- a) **Do not force the power tool. Use the correct power tool for your application.** *The correct power tool will do the job better and safer at the rate for which it was designed.*
- b) **Do not use the power tool if the switch does not turn it on and off.** *Any power tool that cannot be controlled with the switch is dangerous and must be repaired.*
- c) **Disconnect the plug from the power source and/or the battery pack from the power tool before making any adjustments, changing accessories, or storing power tools.** *Such preventive safety measures reduce the risk of starting the power tool accidentally.*
- d) **Store idle power tools out of the reach of children and do not allow persons unfamiliar with the power tool or these instructions to operate the power tool.** *Power tools are dangerous in the hands of untrained users.*
- e) **Maintain power tools. Check for misalignment or binding of moving parts, breakage of parts and any other condition that may affect the power tool's operation. If damaged, have the power tool repaired before use.** *Many accidents are caused by poorly maintained power tools.*
- f) **Keep cutting tools sharp and clean.** *Properly maintained cutting tools with sharp cutting edges are less likely to bind and are easier to control.*
- g) **Use the power tool, accessories and tool bits etc. in accordance with these instructions, taking into account the working conditions and the work to be performed.** *Use of the power tool for operations different from those intended could result in a hazardous situation.*
- h) **Keep handles and grasping surfaces dry, clean and free from oil and grease.** *Slippery handles and grasping surfaces do not allow for safe handling and control of the tool in unexpected situations.*

5) Battery tool use and care

- a) **Recharge only with the charger specified by the manufacturer.** *A charger that is suitable for one type of battery pack may create a risk of fire when used with another battery pack.*
- b) **Use power tools only with specifically designated battery packs.** *Use of any other battery packs may create a risk of injury and fire.*
- c) **When battery pack is not in use, keep it away from other metal objects, like paper clips, coins, keys, nails, screws or other small metal objects, that can make a connection from one terminal to another.** *Shorting the battery terminals together may cause burns or a fire.*
- d) **Under abusive conditions, liquid may be ejected from the battery; avoid contact. If contact accidentally occurs,**

flush with water. If liquid contacts eyes, additionally seek medical help. Liquid ejected from the battery may cause irritation or burns.

e) Do not use a battery pack or tool that is damaged or modified. Damaged or modified batteries may exhibit unpredictable behaviour resulting in fire, explosion or risk of injury.

f) Do not expose a battery pack or tool to fire or excessive temperature. Exposure to fire or temperature above 130 °C may cause explosion.

g) Follow all charging instructions and do not charge the battery pack or tool outside the temperature range specified in the instructions. Charging improperly or at temperatures outside the specified range may damage the battery and increase the risk of fire.

6) Service

a) Have your power tool serviced by a qualified repair person using only identical replacement parts. This will ensure that the safety of the power tool is maintained.

b) Never service damaged battery packs. Service of battery packs should only be performed by the manufacturer or authorized service providers.

Safety warning for Battery Pack

a) Do not dismantle, open or shred cells or battery pack.

b) Do not short-circuit a battery pack. Do not store battery packs haphazardly in a box or drawer where they may short-circuit each other or be short-circuited by conductive materials. When battery pack is not in use, keep it away from other metal objects, like paper clips, coins, keys, nails, screws or other small metal objects, that can make a connection from one terminal to another. Shorting the battery terminals together may cause burns or a fire.

c) Do not expose battery pack to heat or fire. Avoid storage in direct sunlight.

d) Do not subject battery pack to mechanical shock.

e) In the event of battery leaking, do not allow the liquid to come into contact with the skin or eyes. If contact has been made, wash the affected area with copious amounts of water and seek medical advice.

f) Seek medical advice immediately if a cell or battery pack has been swallowed.

g) Keep battery pack clean and dry.

h) Wipe the battery pack terminals with a clean dry cloth if they become dirty.

i) Battery pack needs to be charged before use. Always refer to this instruction and use the correct charging procedure.

j) Do not maintain battery pack on charge when not in use.

k) After extended periods of storage, it may be necessary to charge and discharge the battery pack several times to obtain maximum performance.

l) Battery pack gives its best performance when it is operated at normal room temperature (20 °C ± 5 °C).

m) When disposing of battery packs, keep battery packs of different electrochemical systems separate from each other.

n) Recharge only with the charger specified by Masport. Do not use any charger other than that specifically provided for use with the equipment. A charger that is suitable for one type of battery pack may create a risk of fire

when used with another battery pack.

o) Do not use any battery pack which is not designed for use with the equipment.

p) Keep battery pack out of the reach of children.

q) Retain the original product literature for future reference.

r) Remove the battery from the equipment when not in use.

s) Dispose of properly.

t) Do not mix cells of different manufacture, capacity, size or type within a device.

u) Do not remove battery pack from its original packaging until required for use.

v) Observe the plus (+) and minus (-) marks on the battery and ensure correct use.

Safety warning for Battery Charger

1. Before charging, read the instructions.
2. For charge Li-ion battery pack only.
3. Do not charge a leaking battery.
4. Do not use chargers for works other than those for which they are designed.
5. Before charging, ensure your charger is matching the local AC supply.
6. The charging device must be protected from moisture.
7. Do not use the charging device outdoors.
8. Do not short out the contacts of battery or charger.
9. Respect the polarity "+/-" when charging.
10. Do not open the unit and keep it out of the reach of children.
11. Do not charge the batteries of other manufactures or ill-suited models.
12. Ensure that the connection between the battery charger and battery is correctly positioned and is not obstructed by foreign bodies.
13. Keep battery charger's slots free of foreign objects and protect against dirt and humidity. Store in a dry and frost-free place.
14. When charging batteries, ensure that the battery charger is in a well-ventilated area and away from inflammable materials. Batteries can get hot during charging. Do not overcharge any batteries. Ensure that batteries and chargers are not left unsupervised during charging.
15. Do not recharge non-rechargeable batteries, as they can overheat and break.
16. Longer life and better performance can be obtained if the battery pack is charged when the air temperature is between 18°C and 24°C. Do not charge the battery pack in air temperatures below 0°C, or above 40°C. This is important as it can prevent serious damage to the battery pack.
17. Charge only battery pack of the same model provided by Masport and of models recommended by Masport.

Additional safety warnings for line trimmer



WARNING! Read all safety warnings and all instructions. Failure to follow the warnings and instructions may result in electric shock, fire and/or serious injury.

Carefully read the instructions for the safe operation of the machine.

Save all warnings and instructions for future reference.

This appliance is not intended for use by persons (including children) with reduced physical, sensory or mental capabilities, or lack of experience and knowledge, unless they have been given supervision or instruction concerning use of the appliance by a person responsible for their safety. Children should be supervised to ensure that they do not play with the appliance.

**IMPORTANT
READ CAREFULLY BEFORE USE
KEEP FOR FUTURE REFERENCE**

Safe operating practices

1 Training

- a) Read the instructions carefully. Be familiar with the controls and the proper use of the machine.
- b) Never allow people unfamiliar with these instructions or children to use the machine. Local regulations can restrict the age of the operator.
- c) Keep in mind that the operator or user is responsible for accidents or hazards occurring to other people or their property.

2 Preparation

- a) Never operate the machine while people, especially children, or pets are nearby.
- b) Wear eye protection and stout shoes and appropriate PPE at all times while operating the machine.


3 Operation

- a) Use the machine only in daylight or good artificial light.
- b) Never operate the machine with damaged guards or shields or without guards or shields in place.
- c) Switch on the motor only when the hands and feet are away from the cutting means.
- d) Always remove the battery pack from the appliance,
 - whenever leaving the machine unattended;
 - before clearing a blockage;
 - before checking, cleaning or working on the machine;
 - after striking a foreign object;
 - whenever the machine starts vibrating abnormally.
- e) Take care against injury to feet and hands from the cutting means.
- f) Always ensure that the ventilation openings are kept clear of debris.

4 Maintenance and storage

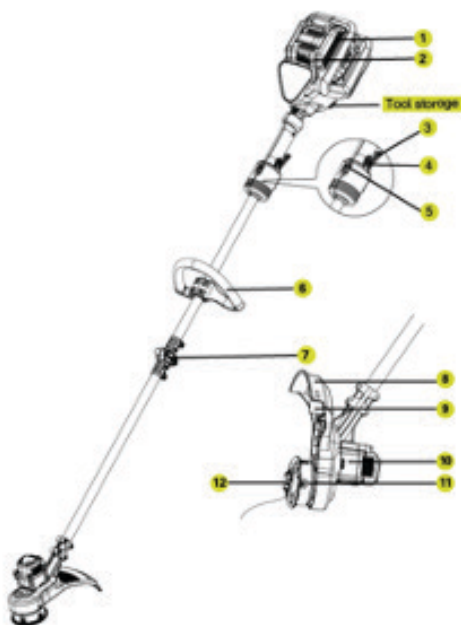
- a) Remove the battery pack from the appliance before carrying out maintenance or cleaning work.
- b) Use only the manufacturer's recommended replacement parts and accessories.
- c) Inspect and maintain the machine regularly. Have the machine repaired only by an authorized repairer.
- d) When not in use, store the machine out of the reach of children.

Product Specifications

Product	Aerocore Line Trimmer CGT60H.9
Rated Voltage	60V MAX
No Load Speed	4200/5500/min
Cutting Diameter	400mm
Line Diameter	2.4mm
Battery Capacity [553155 / ABP6025H]*	2.5 Ah
Battery Capacity [553156 / ABP6050H]*	5.0 Ah
Charger Input [553157 / ACG6025H]*	100-240V ~ 50/60Hz
Charger Output [553157 / ACG6025H]*	60V  2.5 A
Charging Time (approx.)	1 hr
Charger Protection Class	II / II
Machine Weight	5.90kg (Machine only)

Product Diagram

1. Battery Pack*
2. Battery pack release button
3. On/Off switch
4. Lock-off button
5. two-speed gear control
6. Auxiliary handle
7. Couplings
8. Safety guard
9. Line Cutter
10. Trimmer head
11. Spool
12. Bump knob
13. Hex key (fig. A2)
14. Bolts x 5 (fig. B)



We recommend that you purchase your accessories from the same store that sold you the tool. Refer to the accessory packaging for further details. Store personnel can assist you and offer advice.

*Not included in some models

Assembly

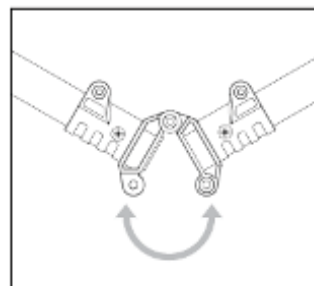
 **To reduce the risk of injury, user must read instruction manual.**

Intended Use

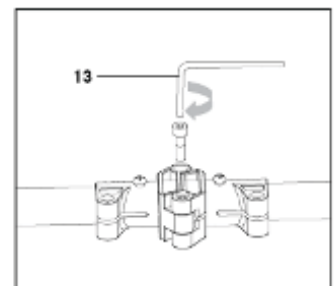
The machine is intended for the cutting of grass and weeds under bushes, as well as on slopes and edges that cannot be reached with the lawn mower.

1. Assembling the upper shaft and lower shaft

- Connect the couplings into each other. (See Fig. A1)
- Align the holes and fasten the couplings by tightening the bolt with hex key. (See Fig. A2)



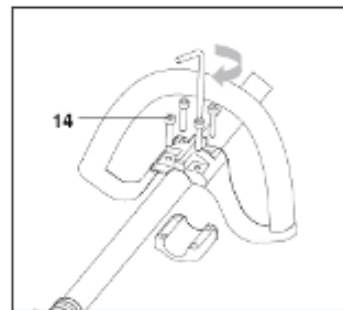
A1



A2

2. Assembling the auxiliary handle

- Place the auxiliary handle onto the shaft from the top, and align with the anti-vibration circle on the shaft. Secure the auxiliary handle by tightening the four bolts with the hex key. (See Fig. B)



B

CAUTION!

- The machine must not be operated before it has been assembled completely.
- Do not insert the battery until the appliance has been completely assembled.

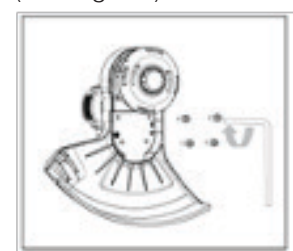
3. Assembling the safety guard

Attach the safety guard to the trimmer head. Align the guard so it slides into the slots located on the trimmer head. (See Fig. C1)

Secure the safety guard onto the trimmer head with the bolts provided by using hex key. (See Fig. C2)



C1



C2

Operation

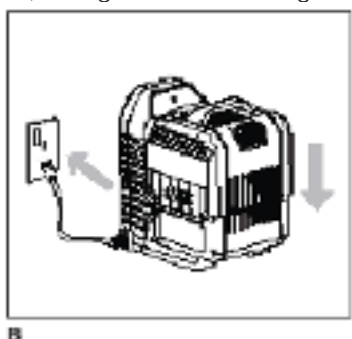
BEFORE PUTTING INTO OPERATION

1. CHARGING THE BATTERY (SEE FIG. B)

- The battery in your new tool is not charged when it leaves the plant; therefore, it must be full charged before using the first time.
- If the battery pack is very hot, remove the battery from the charger and allow it to cool to ambient temperature before attempting to recharge.
- To prevent damage to the battery pack, please charge the battery to full or no less than half charge before storage.
- If the tool will not be used for long periods of time, charge the battery pack every 3-6 months.

CHARGING PROCEDURE

- Plug the charger into an appropriate outlet.
- Slide the battery pack into the charger, and make sure the battery is in the correct charge position firmly. The light will begin flashing green to indicate the charging process has started.
- When charging is completed, the light will turn solid green.
- After the battery is fully charged, unplug the charger and remove the battery pack.



NOTE:

the battery pack is locked in the charger, press the battery pack release button and remove it.















Warning! The charger and battery pack are specially designed to work together so do not attempt to use any other devices. Never insert or allow metallic objects into your charger or battery pack connections because an electrical failure and hazard will occur.



WARNING: When battery charge runs out after continuous use or exposure to direct sunlight or heat, allow time for the tool to cool down before re-charging to achieve the full charge.

CHARGING INDICATOR

This charger is designed to detect some problems that can arise with battery packs. Indicator lights indicate problems (see table below).

Light	ON/Flash	Status
Red on	 	 Defective Battery
Red flash	 	 Battery Temperature Protection. The temperature of the battery pack is less than 0°C or more than 40°C.
Green on	 	 Fully Charged
Green flash	 	 Charging

2. Installing and removing the battery pack

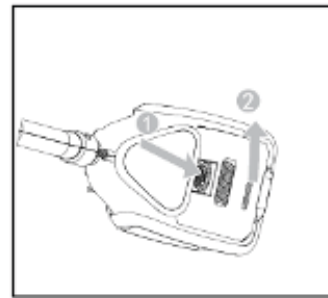
Slide the battery pack into tool's battery port. A simple push

and slight pressure will be sufficient. (See Fig. E1)

Press the battery pack latch and remove the battery pack from the tool. (See Fig. E2)



E1



E2

3. OPERATION

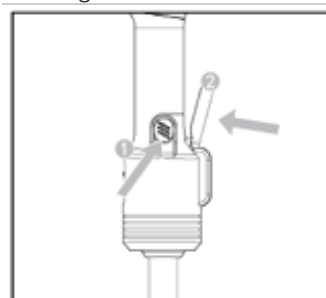
3.1 Switch On/Off

To switch on, press the lock-off button first, then the On/Off switch. (See Fig. F)

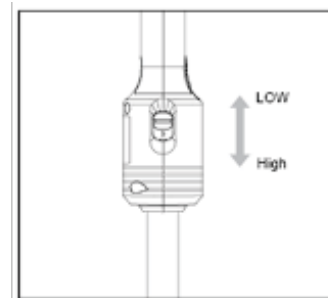
To switch off, release the On/Off switch.

3.2 Two-speed gear control

The tool has a two-speed gear control designed for working at Low (mark is 1) or High (mark is 2) speeds. (See Fig. G) Select either Low or High speed according the required working condition.



F



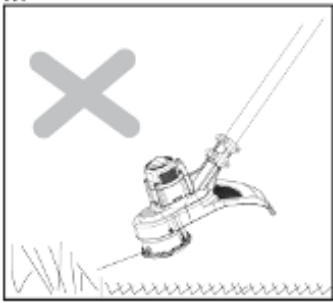
G

4. Trimming

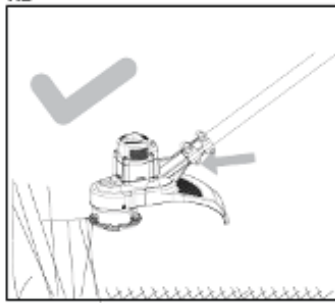
- Keep the trimmer head at an angle of about 30° to the ground when trimming. (See Fig. H1)
- Do not cut wet grass because it tends to stick to the trimmer head and guard, prevents proper discharge of grass clippings, and could cause you to slip and fall.
- Regularly remove clippings and dirt around the trimmer head with a switched off trimmer.
- Work rhythmically; stand firmly with your feet apart. Cut from right to left so the trimmings will be thrown away from the work area. (See Fig. H2)
- When cutting longer /high grass, please make sure that you cut the grass down in 2 to 3 stages. (See Fig. H3,H4)
- Do not move the trimmer too fast as this will result in ineffective cutting and possible damage.

Warning:

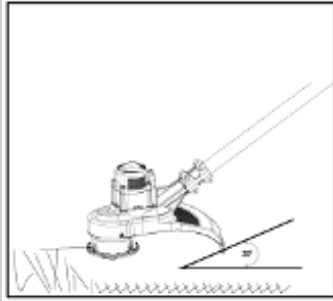
- Always wear eye protection. Never lean over the trimmer head. Rocks or debris can ricochet or be thrown into eyes and face and cause blindness or other serious injury.
- Make sure that line is fed out before operation. Make sure motor is up to full speed before trimming.



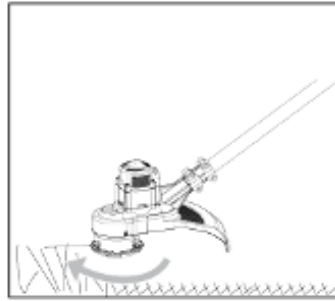
H3



H4



H1



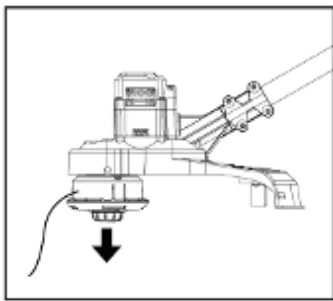
H2

5. Adjusting cutting line length

The trimmer head allows the operator to release more cutting line without stopping the motor. As line becomes frayed or worn, additional line can be released by lightly tapping the bump knob on the ground while operating the trimmer. (See Fig. I)

NOTICE: Line release will become more difficult if the cutting line becomes too dull.

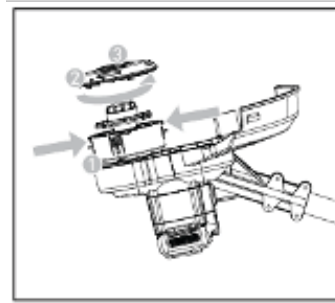
WARNING: Do not remove or alter the line-cutting blade assembly. Excessive line length will be cut to suitable length



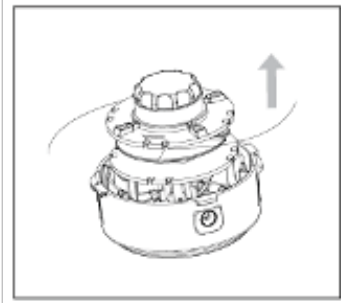
6. To replace the spool and line

For your convenience, it is recommended you buy a replacement spool with line. Press and hold in the two cap release latches. Rotate and loosen the cap by rotating it counter-clockwise. Pull cap away from the spool holder. (See Fig. J1) Remove old spool. (See Fig. J2) Place new spool into cutting head. Release one line from cleat and feed line through eyelet. (See Fig. J3) Replace the cap on the spool holder and turn the cap clockwise to tighten. (See Fig. J4)

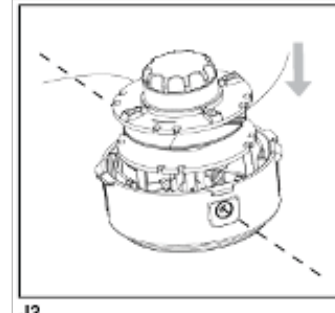
Note: If required, line can be fed out manually. Gently pull out the 2 lines out until the lines reach the line cutter. If the line extends past the line cutter, too much line has been fed out. If too much line is fed out, remove the spool cap and click spool counter-clockwise until the line is at the desired length.



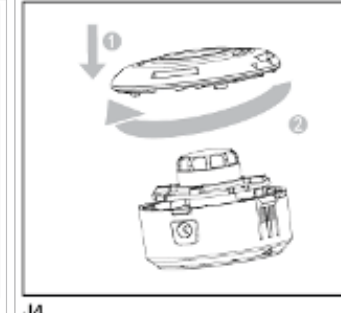
J1



J2



J3

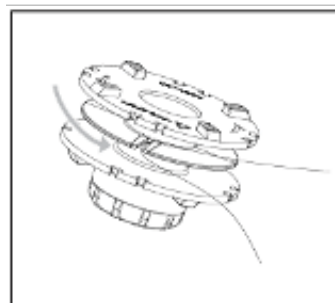


J4

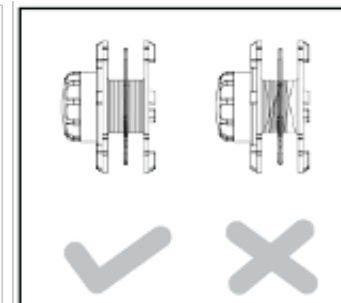
Note: Remove battery prior to replacing spool and line.

7. To replace the line only

Use approximately 16' (4.9 m) of line. Insert the centre point of line into the notch in the middle section of the spool and wind the line in a clockwise direction on both the upper and lower sections of spool. (See. Fig. K1) Care should be taken to ensure that the line is neatly coiled on the spool. Failure to do so will impair the efficiency of the automatic bump line feed. (See. Fig. K2) Then fit spool as described in "To Replace the Spool and Line".



K1



K2

Warning!

- Your trimmer is designed to use only line with a maximum diameter of 0.09" (2.4 mm).
- Always remove the battery pack from your trimmer after use.

Maintenance

Always check the product prior to being used for any damage. After use, disconnect the battery from the tool and check for damage. Your power tool requires no additional lubrication or maintenance. There are no user-serviceable parts in your power tool. Never use water or chemical cleaners to clean your power tool. Wipe clean with a dry cloth. Always store your power tool in a dry, room temperature location. Keep the motor ventilation slots clean. Keep all working controls free of dust.

Cleaning the tool

Clean the tool regularly.

For battery tools

The ambient temperature range for the use and storage of tool and battery is 0 – 45°C (32 – 113°F).

The recommended ambient temperature range for the charging system during charging is 0 – 40°C (32 – 104°F). It is recommended that the battery be stored indoors for the winter months.

Continuous lighting of the battery charge indicator/battery not charging.	Battery not (properly) inserted. Battery contacts contaminated.	Properly insert battery into battery charger. Clean the battery contacts or replace the battery. Replace the battery.
Battery charge indicator does not light up.	Plug of battery charger not plugged in (properly). Outlet or mains cable defective. Battery charger defective.	Insert mains plug (fully) into the socket outlet. Check the mains voltage. Replace the battery charger.

Storage

Remove the battery pack and disassemble the line trimmer. Store the line trimmer and the battery pack indoors, in a cool, dry, clean place which is protected from the effects of weather and temperature and is out of the reach of children and animals.



Warning! Keep your product dry. Under no circumstances spray with water

Troubleshooting

Symptom	Possible Causes	Solution
Trimmer fails to operate.	Battery discharged. Battery too hot/cold. Motor is broken. Internal wiring of machine damaged.	Recharge battery; also see the content in charger manual. Allow to cool/warm. Contact Masport service dealer. Contact Masport service dealer.
Trimmer runs intermittently.	Motor is broken. Battery not fully charged. On/Off switch defective.	Contact Masport service dealer. Recharge battery. Contact Masport service dealer.
Excessive vibrations/ noise.	Machine defective. Line spool is not wound well.	Contact Masport service dealer. Rewind the line. See "To Replace the Line on the Spool".
Cutting time per battery charge too short.	Battery has not been used for long period or only charged for short term. Grass too high.	Fully charge battery; also see the content in charger manual. Cut in stages.
Machine does not cut.	Line broken. Battery not fully charged. Motor is broken (speed is too low).	Replace the line. Recharge battery; also see the content in charger manual. Contact Masport service dealer.







Masport Ltd

320 Ti Rakau Drive, East Tamaki, Auckland 2013

New Zealand

P.O.Box 14 349, Panmure, Auckland 1741