

# MIGHTY EX9

Cab Chassis



# MIGHTY EX9

## Cab Chassis

Engine			
Type	Turbo Charger Intercooler 4 stroke-cycle, Water-cooled, Direct-injection diesel Engine		
Number of Cylinder	4 in-line		
Piston Displacement (cc)	3.933cc		
Max. Power** ps/rpm (kw)	Euro V	170HP/2,500 (125kw) Man	Auto (6 Speed) 170HP/2,500 (125kw) Man
Max. Torque ** (Nm/rpm)	Euro V	448/1,400 (608nm) Man	448/1,400 (608nm) Man
Fuel System	Injection pump	Denso Common Rail System	
Transmission			
Type	Manual (6 Speed)		Auto (6 Speed)
Version	T060 S 6		Allison 1000x fe
Drive	Single Plate Clutch		Lock up Torque Converter
Park Pawl	N/A		YES
PTO	Preperation for PTO		Preperation for PTO
Permissible Torque	147 nm 2000 Rpm		339 nm (min rpm 1200)
Front Axle			
Type	Reverse Elliot type "I" beam		
Capacity	kg	3100 kg	
Rear Axle			
Capacity	kg	6400 kg	
Tyre & Wheel			
Type	Single Front, Dual Rear		
Tyre	Front / Rear	215/75R17.5-12PR	
Wheel	Front / Rear	17.5 x 6.00	
Steering			
Steering	Power Assisted Adjustable Steering Wheel		
Service Brake			
Front / Rear	Disc/Disc		
Vehicle Dynamic Control (VDC)	(ESC) Electronic Stability Control, (ABS) Anti Brake Skid, (HSA) Hill Start Assist, (ESS) Emergency Stop Signal		
Parking Brake			
Actuation	Internal expanding type on Propeller shaft at the rear of Transmission assembly		
Exhaust Brake			
Type	Vacuum operated, Butterfly Valve type		
Suspension			
Type	Front / Rear	Semi-elliptic, laminated Leaf Springs	
Shock absorber	Gas telescopic type on the FRONT/REAR axle		
Exhaust system			
General	Horizontal		
Fuel tank			
Capacity	100ℓ		
Frame			
Type	"H" type frame with channel sectional side rail & cross members, side rail is reinforced with		
Main section side rail dimension (mm)	Depth x Flange x Thickness : 183 x 60 x 6t		
Weights			
*Chassis cab weight kg	Range	2800 -2950 kg	
** Max Gross Vehicle Weight	8,500 kg		
Gross vehicle weight	Front /Rear	3,100 kg/6,400 kg	

Electrical system		
Audio	M450 (Radio+Aux/MP3 USB) Multidisplay	
Auto Locking	Central Door Locking + Power Window + Keyless Entry + Semi Trim	
Steering Wheel Controls	Bluetooth Phone - Audio - Cruise Control	
Head lamps	Semi-sealed Beam / Adjustable Dim	
Front Combination Lamps	Turn signal / Hazard-Amber, Position - White	
Fog Lamps	White	
Rear Combination lamps	Turn signal / Hazard-Amber, Tail / Stop - Red	
License Plate Lamp	White	
Service Lamp Circuit	Yes	
Daytime Running Lights	Yes	
12v Socket in Dash	Yes	x2
Power Windows	Yes	
Back-up Lamp	White	
Instruments		
Meter Cluster	Fixed type	
Meter	Speedometer / Tachometer / Fuel gauge / Water temperature gauge LCD with odometer / Trip meter / Clock	
Warning Lamps & Indicators	Brake fluid level of reservoir / Parking brake / Oil pressure / Battery charge / Tell-tale lights for head light high beam / Turn signals / Door open / Seat belt / Low fuel	
Horn	Single, Electric	
Cruise Control	Yes	
Heating/ Air conditioning (Manual)	Yes	
Steering Wheel Audio Remote Control	Yes	
Steering Wheel Auto Cruise Control	Yes	
Body /Cab		
Type Mounting	Tilt type with torsion bars, all steel welded construction with safety zone design Rigid or Semi floating type	
Windshield	One piece type with laminated glass, tinted upper section	
Windshield Wipers	Dual electric three speed (intermittent / low / fast) wipers & washer	
Mirrors	Mirror - Heated	
Driver's Seat	Coil Suspension, urethane foam cushioned STD trim	
Passenger's seat	Bench seat, STD Trim	
Steering Column	Fully Adjustable	
Roof Marker Lights	Yes	
Overhead Storage	Yes	
Mirror Width	Narrow STD (optional LONG)	
Active Safety Features		
Electronic Stability Control	Yes	
ABS Braking	Yes	
Daytime Running Lights	Yes	
Hill Start Assist	Yes	
Auto Headlights	Yes	
Bluetooth Hands Free	Yes	
Heated Mirrors	Yes	
Warranty		
Cab Chassis	3 years or 150,000km (whichever occurs first) against manufactures defects	
Upper body	According to supplier	
Refrigeration	Where applicable Any refrigeration supplied will be either from Transcold or Thermo king , all warranty and service s be according to their terms and conditions	

#### Annotations

- 1) Empty vehicle weight and curb weight shown are to 3.5% variation to allow for production tolerance.
- 2) Empty vehicle weight and curb weight include weight of oil, fuel, coolant and spare tire carrier & bracket, but exclude standard tool set
- 3) The vehicle specification may differ per country.
- 4) Hyundai New Zealand reserves the right to alter the specifications, equipment or options or discontinue the models at any time without prior notice.

\*Approximate, depending on variant and specification

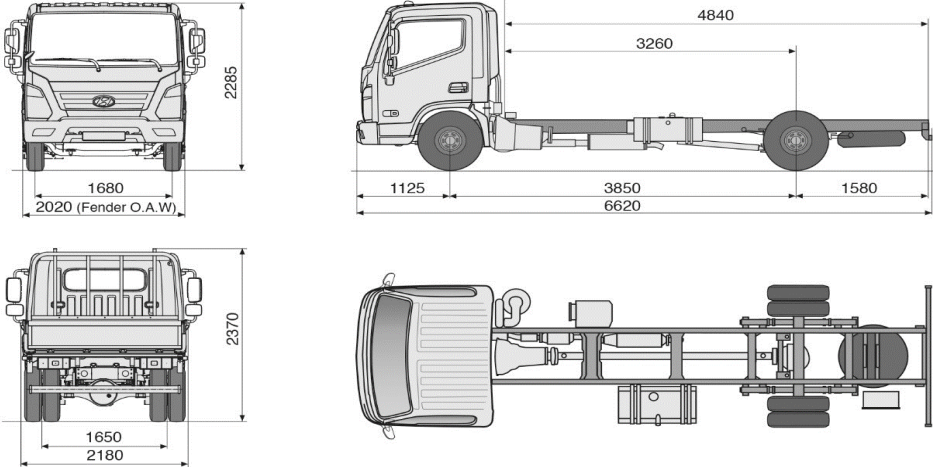
\*\*Max GVW includes the front and rear axle loads based on permissible tyre load 5,995kg & 6,500kg variants

images may contain additional cost options

# MIGHTY EX9

## Cab Chassis

EX9 Std Cab Long Wheelbase



EX9 Std Cab Extra Long Wheelbase

